

**ILLUSTRATED
PARTS
BREAKDOWN**

**DECimage1200
SYSTEM BOX ASSEMBLY**

HOW TO USE THE IPB

GENERAL

This IPB is compiled following the organization and nomenclature of the engineering drawing structure.

MAJOR ASSEMBLY LOCATOR (When Applicable)

The Major Assembly Locator (first illustration) is an index that provides a description and a figure reference for all illustrations used in this manual.

INDENTED PARTS LIST

This manual identifies each assembly being broken down (figure reference callout), and all parts of that assembly. Further breakdown of an assembly is shown by an asterisk (*) preceding the item callouts in the Description Column. The number of asterisks preceding an item is used to denote the subordination of that item with respect to the Major Assembly. A single asterisk preceding an item description indicates that the item is part of the major assembly being illustrated. Items that are subordinate to single asterisks items, are denoted by two asterisks (**) and immediately follow the related single asterisk item. This system of part identification provides a means for the user to identify the next higher assembly item and make alternate selections for parts when the required replacement part of assembly is not immediately available.

COLUMN CALLOUT DESCRIPTION

Figure and Item - Indicates the figure number and item number of each part.

Description - Lists the name of the part and pertinent specifications (when required). Asterisks preceding the description denote the subordination of the part to the next higher assembly.

DEC Part No. - Lists the Digital part ordering number. A blank in this column indicates a Digital part number was not assigned at the time of publication.

ECO Cut-In - The notation at the top of this column indicates the ECO level of the system (option), at which the IPB was initially prepared. Subsequent ECO level designations, that modify existing parts or add new parts to the device, are inserted in the ECO Cut-In column next to the part that is added or modified.

Used On Code - Letters in this column correspond to the variation codes assigned in Figure 1. Parts with an Alpha notation(s) are used only in those option variations. A blank indicates that the part is used on all option variations.

Ref Fig No. - A cross reference between illustrations. For each Major Assembly, the number in this column denotes the figure of the next higher assembly. For all subassemblies, the number in this column denotes the figure showing additional detailed breakdown.

PART NUMBER/PART DESCRIPTION INDEX SECTION
Parts are indexed both numerically and alphabetically by description, referenced to a location within the IPB, by figure number and item number.

REVISION HISTORY

REVISION HISTORY			DATE	OTHER IPB MANUALS REFERENCED
PRINTING	ECO LEVEL			
1st Printing	VX11A 70-27989 H7109	00000-00000 00000-00000 00000-00000	28-DEC-90	N/A

Digital Equipment Corporation reserves the right, without notice, to make substitutions and modifications in the specifications of products documented in this manual and further reserves the right to withdraw any of these products from the market without notice.

Digital Equipment Corporation is not responsible for errors which may appear in the technical description (including illustrations and photographs) of the products covered by this manual.

None of the descriptions contained in this manual imply the granting of any license whatsoever to make, use or sell equipment constructed in accordance therewith.

Restricted Rights: Use, duplication or disclosure by the U.S. Government is subject to restrictions as set forth in subparagraph (c) (1) (ii) of the Rights in Technical Data and Computer Software clause at DFARS 252.227-2713.

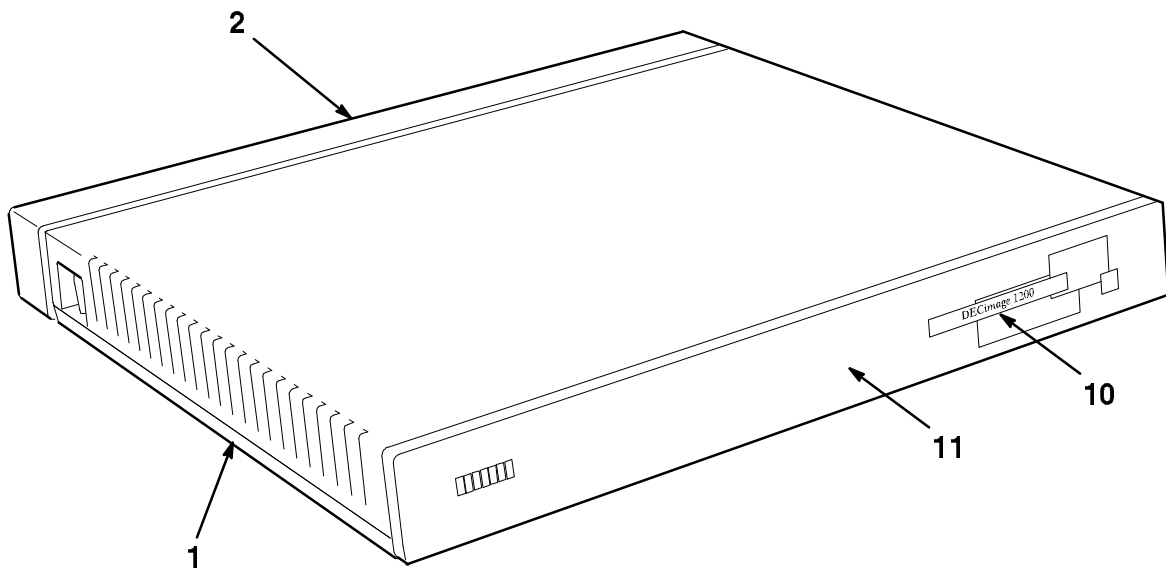
Copyright © 1990 by Digital Equipment Corporation. All rights reserved.

The postage-paid READER'S COMMENTS form on the last page of this document requests your critical evaluation to assist us in preparing future documentation.

The following are trademarks of Digital Equipment Corporation :

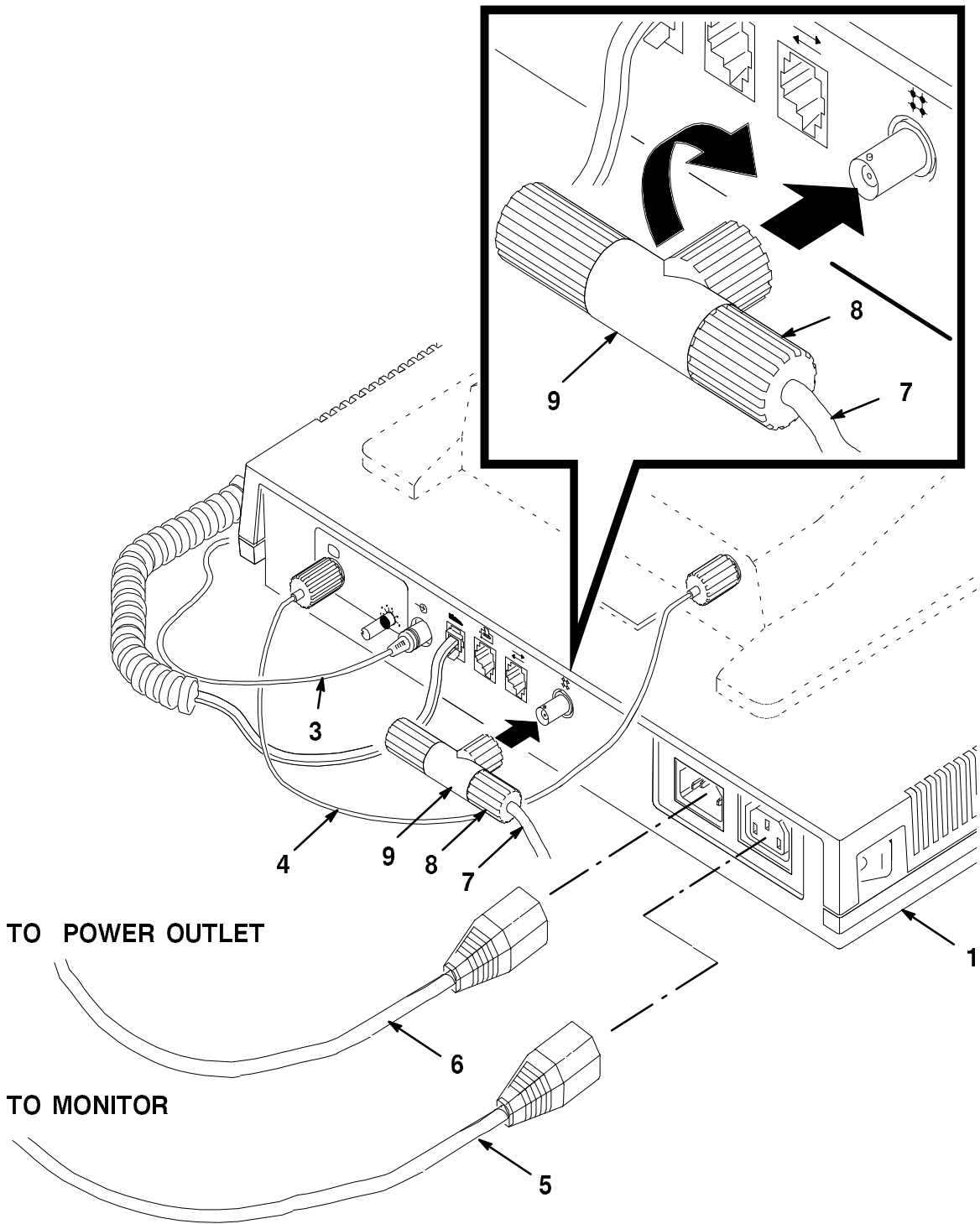


DEC
DECdirect
DECimage



D1200-01-IL

Figure 1. DECimage 1200 System Box (Sheet 1 of 2)

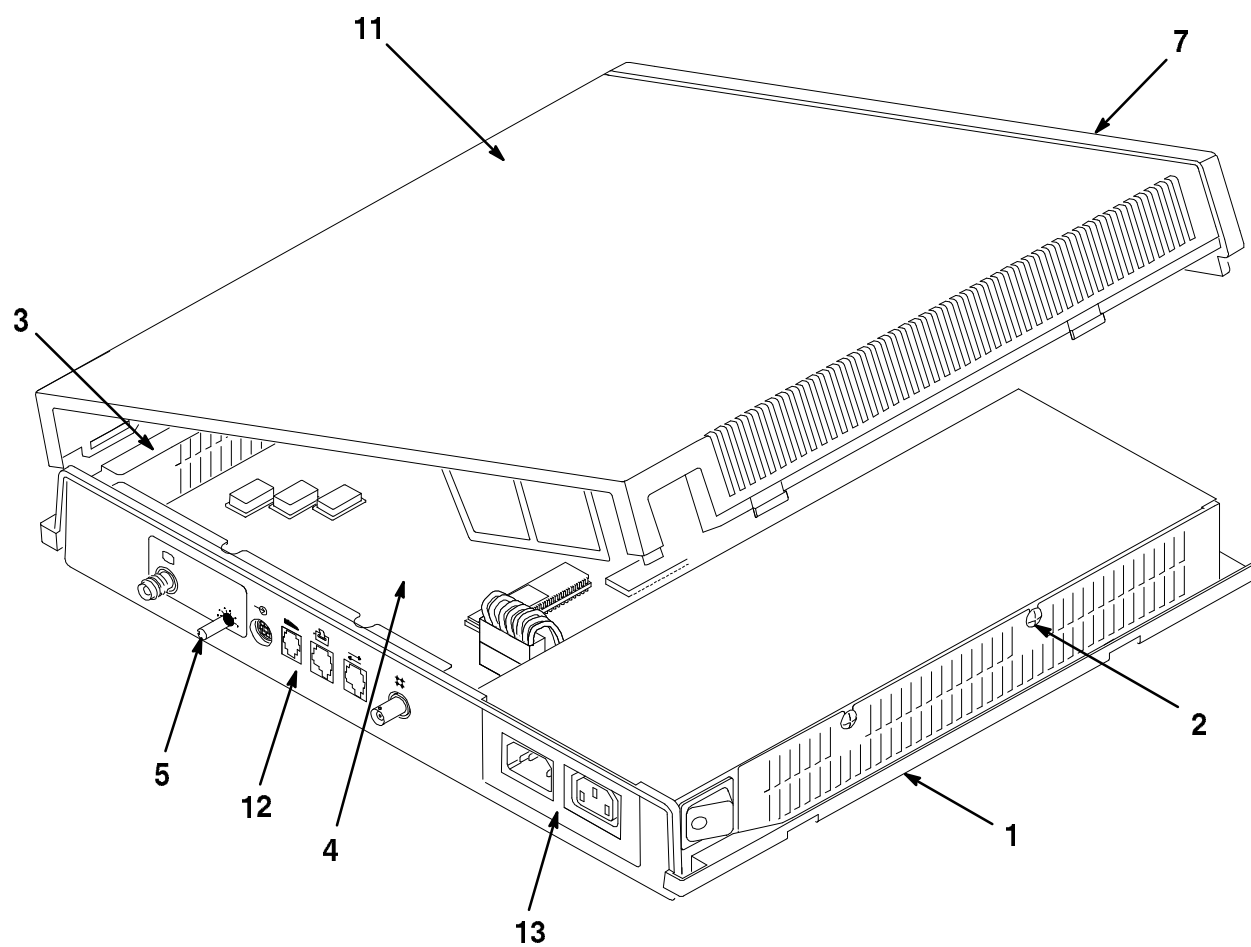


D1200-01A-IL

Figure 1. DECimage 1200 System Box (Sheet 2 of 2)

FIG. & ITEM NO.	DESCRIPTION	DEC PART NO. ^A	ECO CUT-IN VX11A 00000	USED ON CODE	REF FIG NO.
1-	DECimage 1200 SYSTEM BOX US (120/240V) DECimage 1200 SYSTEM BOX EUROPE (120/240V)	VX11A-AA VX11A-AB		A B	
1	*SYSTEM BOX ASSEMBLY	70-27989-01			2
2	*Panel, Dress	74-39906-01			
3	*Cable, EIA (Oval) 10ft Data w/2 MMJ Conn.	17-00811-02			
4	*Cable, Monochrome Video 15 inch	17-02441-01			
5	*Cord, Power US 120V, 28 inch (Gray)	17-00442-32		A	
	*Cord, Power US 120V, 24.6 inch (Gray)	17-00442-26		A	
	*Cord, Power Europe 240V, 28 inch (Gray)	17-00365-28		B	
	*Cord, Power Europe 240V, 29 inch (Gray)	17-00365-22		B	
6	*Cord, Power US 120V, 75 inch (Gray)	17-00606-02		A	
7	*Cable, Coaxial	17-01241-09			
8	*Connector, Coaxial	12-26318-01			
9	*Tee, Coaxial	12-25869-01			
10	*Logo, "DECimage"	36-34835-01			
11	Bezel, Front (See Note)	74-39210-03			
	ITEMS (Not Shown)				
	*Label, Legend Strip US	36-32049-14		A	
	*Adaptor, EIA	12-28172-01			
	NOTE: Bezel is Part of Figure 2. Shown Here For Clarity.				

THIS PAGE INTENTIONALLY LEFT BLANK

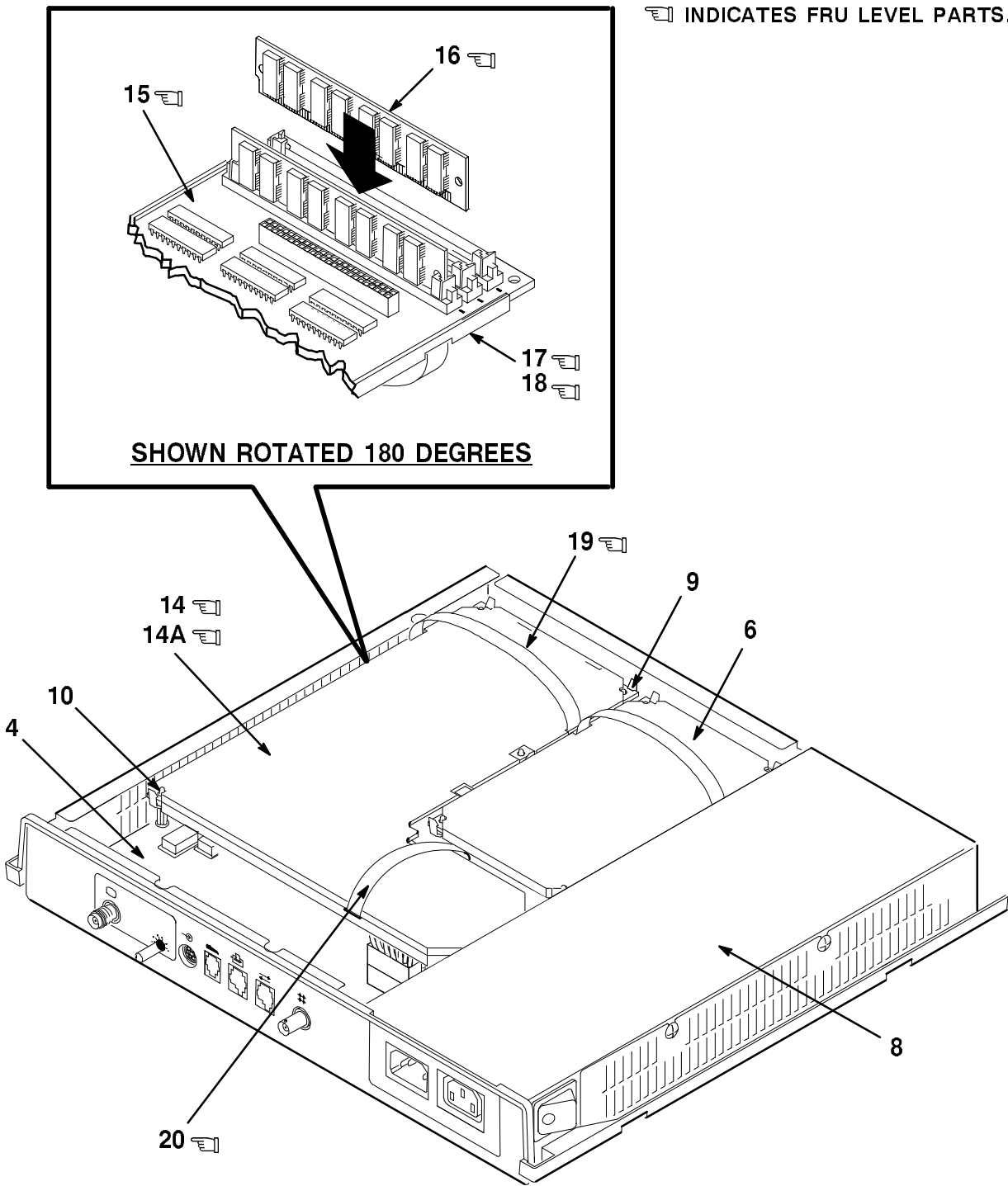


D1200-02-IL

Figure 2. System Box Assembly (Sheet 1 of 2)



☞ INDICATES FRU LEVEL PARTS.

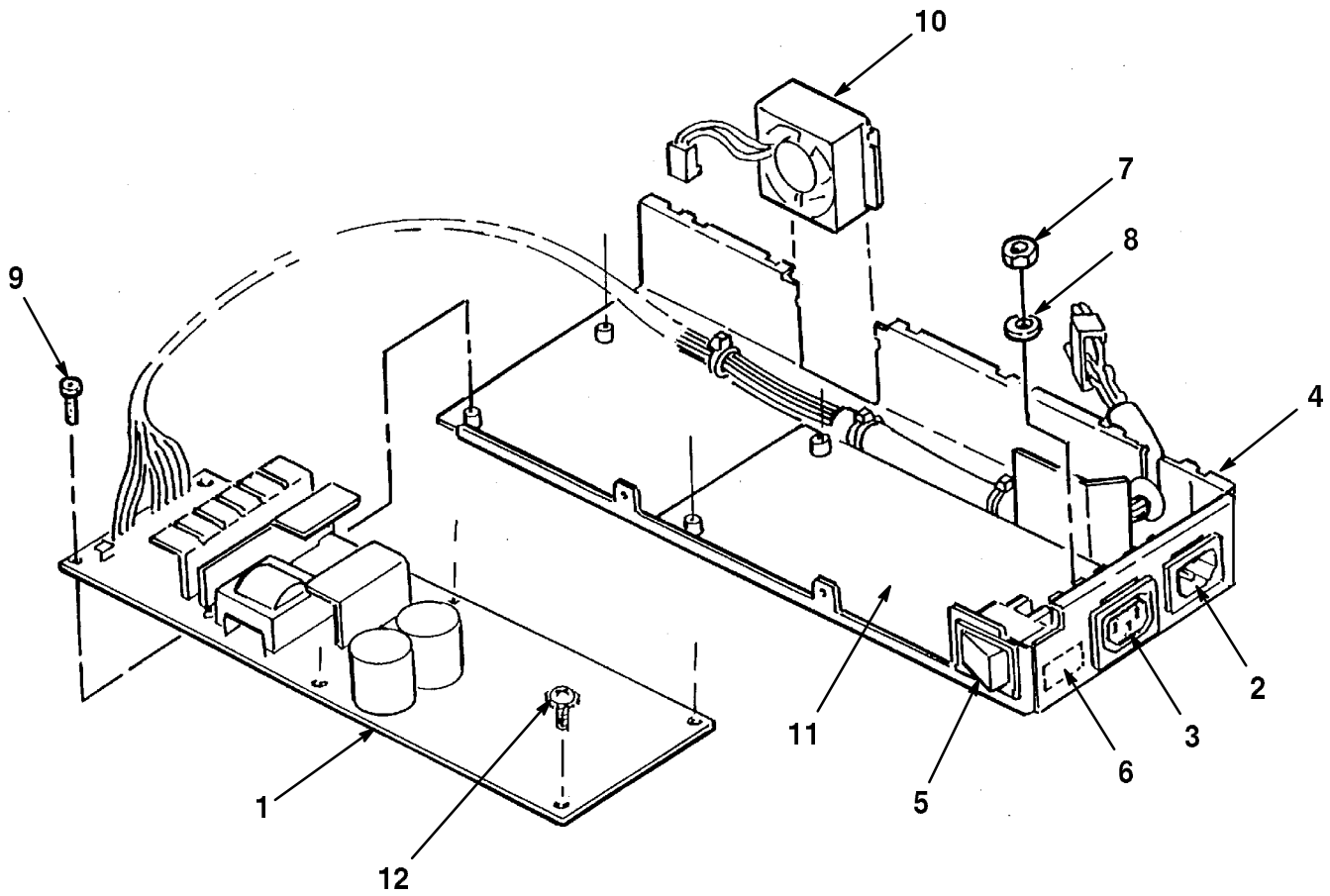


D1200-02A-IL

Figure 2. System Box Assembly (Sheet 2 of 2)

FIG.& ITEM NO.	DESCRIPTION	DEC PART NO. ^A	ECO CUT-IN 70-27989 00000	USED ON CODE	REF FIG NO.
2-	SYSTEM BOX ASSEMBLY	70-27989-01			1
1	*Enclosure, Bottom	74-39208-01			
2	*Screw, Sems Phi Pan Hd No. 6-32 x 5/16	90-09984-07			
3	*Chassis	74-39335-01			
4	*MODULE, CPU	54-19783-01			
5	**Switch, Video Select	74-39905-01			
6	*Module, ROM	54-19803-03			
7	*Bezel, Front (Not Shown) (See Note)	74-39210-03			
8	*POWER SUPPLY ASSEMBLY	H7109-A			3
9	*Standoff, PC Module	12-19857-05			
10	*Standoff, PC Module	12-19857-01			
11	*Enclosure Assembly, Top	70-27014-01			
12	*Label, "SER/MOD/ICON"	36-32223-01			
13	*Label, "VX10A AUX/POWER"	36-32467-02			
14	*IMAGE CARD ASSEMBLY (With SIMM CARD)	70-27988-01			
☞ 14A	*IMAGE CARD ASSEMBLY (W/Out SIMM CARD)	70-27988-02			
☞ 15	**Module, Image/Memory Controller	54-20332-01			
☞ 16	**Module, SIMM 1MB	54-19805-AA			
☞ 17	**IMAGE COVER ASSEMBLY	70-27987-01			
☞ 18	***Cover, Image	74-41596-01			
☞ 19	***Handle, ROM/RAM	74-40255-01			
☞ 20	***Handle, Image	74-40255-02			
	ITEMS (Not Shown)				
	*Bumper, Rubber	90-10076-00			
	*Foot, Rubber	90-10738-01			
	*Label, "Regulatory"	36-32222-01			
	NOTE : Bezel Shown in Figure 1 Item 11 for clarity.				

THIS PAGE INTENTIONALLY LEFT BLANK



D1200-03-BD

Figure 3. Power Supply Assembly, H7109

FIG. & ITEM NO.	DESCRIPTION	DEC PART NO. ^A	ECO CUT-IN H7109 00000	USED ON CODE	REF FIG NO.
3-	POWER SUPPLY ASSEMBLY, H7109	H7109-A			2
1	*Module, DWT Main	54-19525-01			
2	*Socket Assembly, AC Input	70-26583-01			
3	*Socket Assembly, AC Output	70-26585-01			
4	*CHASSIS	74-39336-01			
5	**Switch, On/Off Rocker	12-22355-10			
6	*Label, "AUX/Output"	36-32467-01			
7	*Nut, Kep No. 10-32	90-06565-01			
8	*Washer, Flat	90-06660-00			
9	*Screw, Machine Phi Pan Hd No. 6-32 x 1/4	90-06020-01			
10	*Fan Assembly	70-26582-01			
11	*Sheet, Insulator	74-40205-01			
12	*Screw, Sems Phi Pan Hd No. 6-32 x 1/4	90-10174-00			
	ITEMS (Not Shown)				
	*Tie, Cable	90-07031-00			
	*Label, "Danger High Voltage"	36-10267-02			
	*Label, "Caution Replace Fuse"	36-17615-00			
	*Label, "H7109-A Power Supply"	36-32224-01			
					Ω

PART NUMBER/DESCRIPTION INDEX

INDEX BY DEC PART NUMBER
DECimage 1200 SYSTEM BOX

PART NO.	DESCRIPTION	FIG NO.	ITEM NO.
12-19857-01	Standoff, PC Module	2	10
12-19857-05	Standoff, PC Module	2	9
12-22355-10	Switch, On/Off Rocker	3	5
12-25869-01	Tee, Coaxial	1	9
12-26318-01	Connector, Coaxial	1	8
12-28172-01	Adaptor, EIA	1	Not Shown
17-00365-22	Cord, Power Europe 240V, 29 inch (Gray)	1	5
17-00365-28	Cord, Power Europe 240V, 28 inch (Gray)	1	5
17-00442-26	Cord, Power US 120V, 24.6 inch (Gray)	1	5
17-00442-32	Cord, Power US 120V, 28 inch (Gray)	1	5
17-00606-02	Cord, Power US 120V, 75 inch (Gray)	1	6
17-00811-02	Cable, EIA (Oval) 10ft Data w/2 MMJ Conn.	1	3
17-01241-09	Cable, Coaxial	1	7
17-02441-01	Cable, Monochrome Video 15 inch	1	4
36-10267-02	Label, "Danger High Voltage"	3	Not Shown
36-17615-00	Label, "Caution Replace Fuse"	3	Not Shown
36-32049-14	Label, "Legend Strip US"	1	Not Shown
36-32222-01	Label, "Regulatory"	2	Not Shown
36-32223-01	Label, "SER/MOD/ICON"	2	12
36-32224-01	Label, "H7109-A Power Supply"	3	Not Shown
36-32467-01	Label, "AUX/Output"	3	6
36-32467-02	Label, "VX10A AUX/POWER"	2	13
36-34835-01	Logo, "DECimage"	1	10
54-19525-01	Module, Image Main	3	1
54-19783-01	MODULE, CPU	2	4
54-19803-03	Module, ROM	2	6
54-19805-AA	Module, SIMM 1MB	2	16
54-20332-01	Module, Image/Memory Controller	2	15
70-26582-01	Fan Assembly	3	10
70-26583-01	Socket Assembly, AC Input	3	2
70-26585-01	Socket Assembly, AC Output	3	3
70-27014-01	Enclosure Assembly, Top	2	11
70-27987-01	IMAGE COVER ASSEMBLY	2	17
70-27988-01	IMAGE CARD ASSEMBLY (With SIMM CARD)	2	14
70-27988-02	IMAGE CARD ASSEMBLY (W/Out SIMM CARD)	2	14A
70-27989-01	SYSTEM BOX ASSEMBLY	1	1
70-27989-01	SYSTEM BOX ASSEMBLY	2	N/A
74-39208-01	Enclosure, Bottom	2	1
74-39210-03	Bezel, Front (Not Shown)	2	7
74-39210-03	Bezel, Front	1	11
74-39335-01	Chassis	2	3
74-39336-01	CHASSIS	3	4
74-39905-01	Switch, Video Select	2	5
74-39906-01	Panel, Dress	1	2
74-40205-01	Sheet, Insulator	3	11
74-40255-01	Handle, ROM/RAM	2	19
74-40255-02	Handle, Image	2	20
74-41596-01	Cover, Image	2	18

INDEX BY DEC PART NUMBER
DECimage 1200 SYSTEM BOX

PART NO.	DESCRIPTION	FIG NO.	ITEM NO.
90-06020-01	Screw, Machine Phl Pan Hd No. 6-32 x 1/4	3	9
90-06565-01	Nut, Kep No. 10-32	3	7
90-06660-00	Washer, Flat	3	8
90-07031-00	Tie, Cable	3	Not Shown
90-09984-07	Screw, Sems Phl Pan Hd No. 6-32 x 5/16	2	2
90-10076-00	Bumper, Rubber	2	Not Shown
90-10174-00	Screw, Sems Phl Pan Hd No. 6-32 x 1/4	3	12
90-10738-01	Foot, Rubber	2	Not Shown
H7109-A	POWER SUPPLY ASSEMBLY, H7109	2	8
H7109-A	POWER SUPPLY ASSEMBLY, H7109	3	N/A
VX11A-AA	DECimage 1200 SYSTEM BOX US (120/240V)	1	N/A
VX11A-AB	DECimage 1200 SYSTEM BOX EUROPE (120/240V)	1	N/A

INDEX BY DEC PART NUMBER
DECimage 1200 SYSTEM BOX

PART NO.	DESCRIPTION	FIG NO.	ITEM NO.
PART NO.	DESCRIPTION	FIG NO.	ITEM NO.

INDEX BY DEC PART NUMBER
DECimage 1200 SYSTEM BOX

PART NO.	DESCRIPTION	FIG NO.	ITEM NO.
----------	-------------	------------	-------------

INDEX BY DEC PART NUMBER
DECimage 1200 SYSTEM BOX

PART NO.	DESCRIPTION	FIG NO.	ITEM NO.
----------	-------------	------------	-------------

INDEX BY DEC PART NUMBER
DECimage 1200 SYSTEM BOX

PART NO.	DESCRIPTION	FIG NO.	ITEM NO.
-----------------	--------------------	--------------------	---------------------

NOTE

When the description includes "added" or "deleted, ALWAYS refer to the figure parts list for the latest part description.

INDEX BY DEC PART DESCRIPTION

DECimage 1200 SYSTEM BOX

DESCRIPTION	DEC PART NO.	FIG. NO.	ITEM NO.
Adaptor, EIA	12-28172-01	1	Not Shown
Bezel, Front	74-39210-03	1	11
Bezel, Front (Not Shown)	74-39210-03	2	7
Bumper, Rubber	90-10076-00	2	Not Shown
Cable, Coaxial	17-01241-09	1	7
Cable, EIA (Oval) 10ft Data w/2 MMJ Conn.	17-00811-02	1	3
Cable, Monochrome Video 15 inch	17-02441-01	1	4
CHASSIS	74-39336-01	3	4
Chassis	74-39335-01	2	3
Connector, Coaxial	12-26318-01	1	8
Cord, Power Europe 240V, 28 inch (Gray)	17-00365-28	1	5
Cord, Power Europe 240V, 29 inch (Gray)	17-00365-22	1	5
Cord, Power US 120V, 24.6 inch (Gray)	17-00442-26	1	5
Cord, Power US 120V, 28 inch (Gray)	17-00442-32	1	5
Cord, Power US 120V, 75 inch (Gray)	17-00606-02	1	6
Cover, Image	74-41596-01	2	18
DECimage 1200 SYSTEM BOX EUROPE (120/240V)	VX11A-AB	1	N/A
DECimage 1200 SYSTEM BOX US (120/240V)	VX11A-AA	1	N/A
Enclosure Assembly, Top	70-27014-01	2	11
Enclosure, Bottom	74-39208-01	2	1
Fan Assembly	70-26582-01	3	10
Foot, Rubber	90-10738-01	2	Not Shown
Handle, Image	74-40255-02	2	20
Handle, ROM/RAM	74-40255-01	2	19
IMAGE CARD ASSEMBLY (W/Out SIMM CARD)	70-27988-02	2	14A
IMAGE CARD ASSEMBLY (With SIMM CARD)	70-27988-01	2	14
IMAGE COVER ASSEMBLY	70-27987-01	2	17
Label, "AUX/Output"	36-32467-01	3	6
Label, "Caution Replace Fuse"	36-17615-00	3	Not Shown
Label, "H7109-A Power Supply"	36-32224-01	3	Not Shown
Label, "Regulatory"	36-32222-01	2	Not Shown
Label, "SER/MOD/ICON"	36-32223-01	2	12
Label, "VX10A AUX/POWER"	36-32467-02	2	13
Label, "Legend Strip US"	36-32049-14	1	Not Shown
Label, "Danger High Voltage"	36-10267-02	3	Not Shown
Logo, "DECimage"	36-34835-01	1	10
MODULE, CPU	54-19783-01	2	4
Module, Image Main	54-19525-01	3	1
Module, Image/Memory Controller	54-20332-01	2	15
Module, SIMM 1MB	54-19805-AA	2	16
Module, ROM	54-19803-03	2	6
Nut, Kep No. 10-32	90-06565-01	3	7
Panel, Dress	74-39906-01	1	2

INDEX BY DEC PART DESCRIPTION
DECimage 1200 SYSTEM BOX

DESCRIPTION	DEC PART NO.	FIG. NO.	ITEM NO.
POWER SUPPLY ASSEMBLY, H7109	H7109-A	2	8
POWER SUPPLY ASSEMBLY, H7109	H7109-A	3	N/A
Screw, Machine Phi Pan Hd No. 6-32 x 1/4	90-06020-01	3	9
Screw, Sems Phi Pan Hd No. 6-32 x 1/4	90-10174-00	3	12
Screw, Sems Phi Pan Hd No. 6-32 x 5/16	90-09984-07	2	2
Sheet, Insulator	74-40205-01	3	11
Socket Assembly, AC Input	70-26583-01	3	2
Socket Assembly, AC Output	70-26585-01	3	3
Standoff, PC Module	12-19857-01	2	10
Standoff, PC Module	12-19857-05	2	9
Switch, On/Off Rocker	12-22355-10	3	5
Switch, Video Select	74-39905-01	2	5
SYSTEM BOX ASSEMBLY	70-27989-01	2	N/A
SYSTEM BOX ASSEMBLY	70-27989-01	1	1
Tee, Coaxial	12-25869-01	1	9
Tie, Cable	90-07031-00	3	Not Shown
Washer, Flat	90-06660-00	3	8

READER'S COMMENTS

DECimage 1200 SYSTEM BOX ASSEMBLY
Illustrated Parts Breakdown
EK-D1200-IP-001

1. How did you use this manual? (Circle your response.)

- (a) Installation (c) Maintenance (e) Training
(b) Operation/Use (d) Programming (f) Other (Please specify) _____

2. Did the manual meet your needs? Yes No Why? _____

3. Please rate the manual on the following categories. (Circle your response.)

	Excellent	Good	Fair	Poor	Unacceptable
Accuracy	5	4	3	2	1
Clarity	5	4	3	2	1
Completeness	5	4	3	2	1
Illustrations, examples	5	4	3	2	1
Overall ease of use	5	4	3	2	1
Table of Content, Index	5	4	3	2	1

4. What things did you like *most* about this manual? _____

5. What things did you like *least* about this manual? _____

6. Please list and describe any errors you found in the manual.

Page	Description/Location of Error
_____	_____
_____	_____
_____	_____
_____	_____

7. Which of the following most clearly describes your job ? (Circle your response.)

- (a) Administrative Support (e) System Manager (i) Education/Trainer
(b) Manager/Supervisor (f) Computer Operator (j) Sales/Marketing
(c) Scientist/Engineer (g) Software Support (k) Other (Please specify) _____
(d) Programmer/Analyst (h) Hardware Support

OPTIONAL INFORMATION

Name _____ Job Title _____

Street _____ Company _____

City _____ Department _____

State/Country _____ Telephone Number _____

Postal (ZIP) Code _____ Date _____

THANK YOU FOR YOUR COMMENTS AND SUGGESTIONS.

Please do not use this form to order manuals. Contact your representative at Digital Equipment Corporation or (in the USA) call our DECdirect™ department at this toll-free number : 800-258-1710