

RRD43 CD-ROM Disc Drive
Information for

VAX 4000 Model 100 Systems

Order Number: EK-RRDCD-IN. A01

First Printing, March 1994

Digital Equipment Corporation makes no representations that the use of its products in the manner described in this publication will not infringe on existing or future patent rights, nor do the descriptions contained in this publication imply the granting of licenses to make, use, or sell equipment or software in accordance with the description.

Possession, use, or copying of the software described in this publication is authorized only pursuant to a valid written license from Digital or an authorized sublicensor.

Copyright © Digital Equipment Corporation, 1994. All Rights Reserved.

The Reader's Comments form at the end of this document requests your critical evaluation to assist in preparing future documentation.

The following are trademarks of Digital Equipment Corporation: DEC, Digital, MicroVAX, RRD43, SCSI, VAX, VAX DOCUMENT, and the DIGITAL logo.

All other trademarks and registered trademarks are the property of their respective holders.

FCC NOTICE: The equipment described in this manual generates, uses, and may emit radio frequency energy. The equipment has been type tested and found to comply with the limits for a Class A computing device pursuant to Subpart J of Part 15 of FCC Rules, which are designed to provide reasonable protection against such radio frequency interference when operated in a commercial environment. Operation of this equipment in a residential area may cause interference, in which case the user at his own expense may be required to take measures to correct the interference.

S2526

This document was prepared using VAX DOCUMENT Version 2.1.

Contents

1	RRD43 Compact Disc Drive	1
1.1	RRD43 Controls and LEDs	1
1.2	Inserting a Compact Disc into the RRD43 Disc Drive	2
1.3	Removing the Disc from the RRD43	4
2	Removing a Disk Manually	6
3	Drive Specifications	7

Figures

1	RRD43 Compact Disc Drive Front Panel	1
2	Inserting a Disc in the RRD43	3
3	Removing a Disc from the RRD43	5
4	Removing a Disc Manually	6

Tables

1	RRD43 Disc Drive Specifications	7
---	---------------------------------------	---

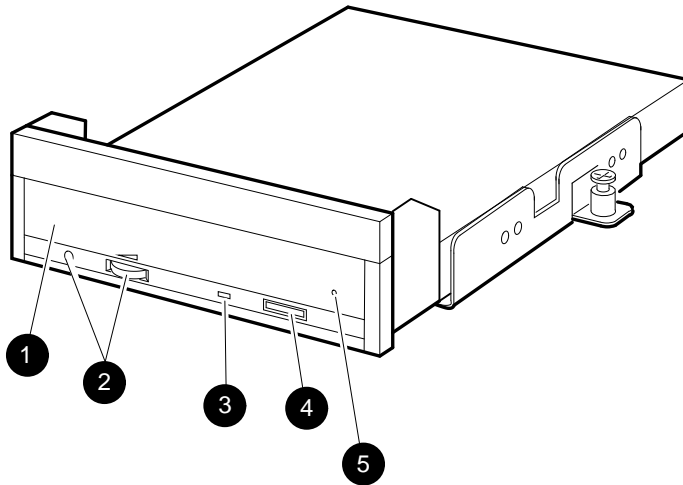
1 RRD43 Compact Disc Drive

The RRD43 compact disc drive is a read-only device that can read information from industry standard 600MB compact discs. The compact disc is inserted directly into the drive.

1.1 RRD43 Controls and LEDs

The front panel of the RRD43 compact disc drive contains the disc tray and has an eject button, a busy LED, and an emergency eject hole. Figure 1 shows the front panel of the RRD43 compact disc drive.

Figure 1 RRD43 Compact Disc Drive Front Panel



MLO-012261

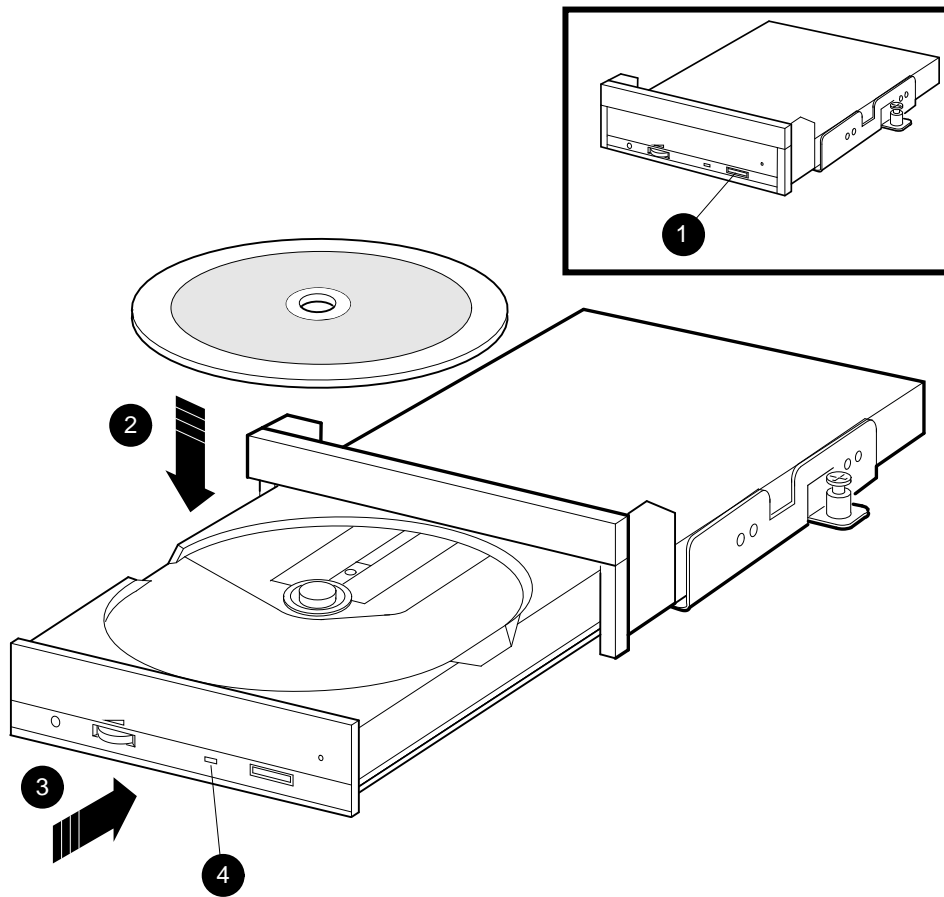
- ❶ Disc tray.
- ❷ Volume control and headphone socket—not used.
- ❸ Busy LED—This LED turns on when data is read from the disc. It flashes during seek operations.
- ❹ Eject button—Press this button to eject the disc tray from the RRD43.
- ❺ Emergency eject hole—Use the emergency eject hole to manually eject the disc tray if a power failure occurs (see Section 2).

1.2 Inserting a Compact Disc into the RRD43 Disc Drive

To insert a disc in the RRD43, see Figure 2 and follow these steps.

1. Push the eject button inward to release the disc tray. The tray will eject part way out; pull the tray out manually to its full extension.
2. Pick up the disc by the edges; taking care not to touch the bottom (unlabelled) side of the disc with any part of your hand or fingers.
3. Insert the disc into the tray with the disc label facing upwards.
4. Push the disk tray back into the RRD43 until it is completely inserted and latched.
5. The busy LED stays on for a few seconds. When the busy LED goes off, the RRD43 can receive commands and you can read data from the compact disc.

Figure 2 Inserting a Disc in the RRD43



MLO-012262

- ❶ Eject button
- ❷ Disc (hold by the side edge and set into place in the disc tray)
- ❸ Disc tray (push in)
- ❹ Busy LED

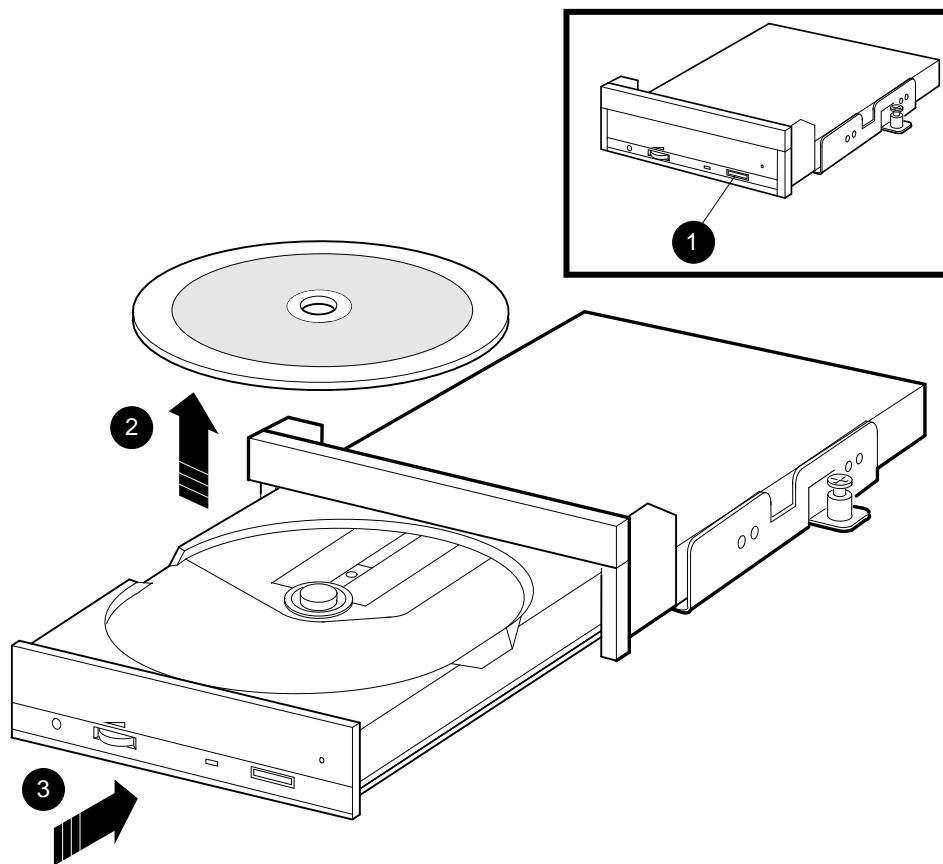
If the disc is upside-down, not properly inserted in the tray, or if other conditions prevent the RRD43 from reading the disc, the busy LED will blink, then stay on steadily.

1.3 Removing the Disc from the RRD43

To remove a disc from the RRD43, see Figure 3 and follow these steps.

1. Push the eject button inward to release the disc tray. The tray will eject part way out; pull the tray out manually to its full extension.
2. Remove the disc from the tray; pick up the disc by the edges, taking care not to touch the bottom (unlabelled) side of the disc with any part of your hand or fingers.
3. Push the disk tray back into the RRD43 until it is completely inserted and latched.

Figure 3 Removing a Disc from the RRD43



- ❶ Eject Button
- ❷ Disc (hold by the side edge and remove from the disc tray)
- ❸ Disc tray (push in)

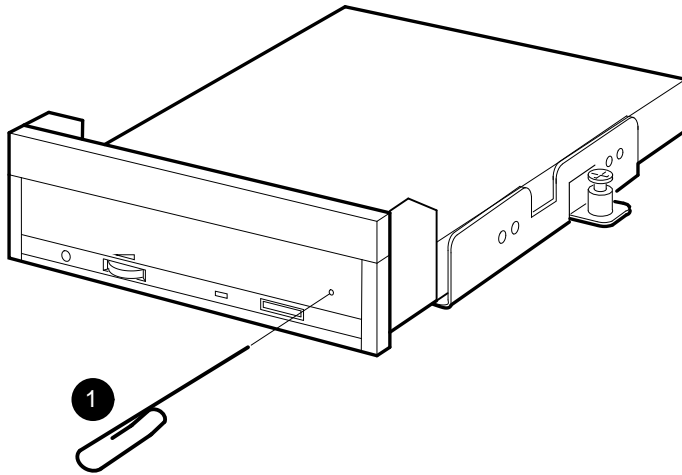
MLO-012263

2 Removing a Disk Manually

To remove a disc manually from the RRD43, in the event of a power failure for example, see Figure 4 and follow these steps:

1. Set the on/off switch on the system unit to the off (O) position.
2. Insert a straightened large paper clip or metal rod, 1.2 millimeters (mm) (0.047 inches) in diameter and not less than 35 mm (1.38 in.) long, into the emergency eject hole and push the clip or rod in until the disc tray disengages.
3. Pull the tray out fully and remove the disc.

Figure 4 Removing a Disc Manually



MLO-012264

- 1 Paper Clip—Insert the clip 35 mm into the emergency eject hole.

3 Drive Specifications

Table 1 RRD43 Disc Drive Specifications

Overview	
Description	Half-height optical CD-ROM disc drive
Features	Photo CD capable/ can be used as an independent audio CD player
Media	Removable 5 1/4-inch compact disc
Capacity	600 MB
Form factor	5 1/4 in
Average access time	320 ms
Transfer rate	1X: 150 KB, 2X: 300 KB
Rotational speed	1X: Inner track = 530 rpm/Outer track = 200 rpm 2X: Inner track = 1060 rpm/Outer track = 400 rpm
Temperature	5°C (41°F) – 50°C (122°F) (operating) -10°C (14°F)—65°C (149°F) (nonoperating)
Relative humidity	8%–80%
Voltage	+5 VDC ±5%
Current	1X—+5 V: 950 mA; 2X—+5 V: 1.0 A
Power	<7 W @ 5 V (maximum)
Add-On Option Part Number	
RRD43-EK	Embedded RRD43 disc drive 1.5-inch brick, with mounting hardware for the MicroVAX 3100 and VAX 4000 Model 100 systems.
RRD43-FA	Tabletop RRD43 disc drive with cable kit and U.S. power cord.
RRD43-DG	Tabletop RRD43 disc drive with cable kit. Requires country-specific power cord.

(continued on next page)

Table 1 (Cont.) RRD43 Disc Drive Specifications

Field Replacable Units and Options

RRD43 drive	RRD43-AA
Test disc	30-23507-03

Documentation

<i>RRD43 CD-ROM Drive Installation Guide</i>	EK-RRD43-IN
<i>RRD43 CD-ROM Disc Drive Installation Guide for MicroVAX 3100 and VAX 4000 Model 100 Systems</i>	EK-RRDVX-IN

How to Order Additional Documentation

Technical Support

If you need help deciding which documentation best meets your needs, call 800-DIGITAL (800-344-4825) and press 2 for technical assistance.

Electronic Orders

If you wish to place an order through your account at the Electronic Store, dial 800-234-1998, using a modem set to 2400- or 9600-baud. You must be using a VT terminal or terminal emulator set at 8 bits, no parity. If you need assistance using the Electronic Store, call 800-DIGITAL (800-344-4825) and ask for an Electronic Store specialist.

Telephone and Direct Mail Orders

From	Call	Write
U.S.A.	DECdirect Phone: 800-DIGITAL (800-344-4825) Fax: (603) 884-5597	Digital Equipment Corporation P.O. Box CS2008 Nashua, NH 03061
Puerto Rico	Phone: (809) 781-0505 Fax: (809) 749-8377	Digital Equipment Caribbean, Inc. 3 Digital Plaza, 1st Street Suite 200 Metro Office Park San Juan, Puerto Rico 00920
Canada	Phone: 800-267-6215 Fax: (613) 592-1946	Digital Equipment of Canada Ltd. 100 Herzberg Road Kanata, Ontario, Canada K2K 2A6 Attn: DECdirect Sales
International	—————	Local Digital subsidiary or approved distributor
Internal Orders ¹ (for software documentation)	DTN: 264-3030 (603) 884-3030 Fax: (603) 884-3960	U.S. Software Supply Business Digital Equipment Corporation 10 Cotton Road Nashua, NH 03063-1260
Internal Orders (for hardware documentation)	DTN: 264-3030 (603) 884-3030 Fax: (603) 884-3960	U.S. Software Supply Business Digital Equipment Corporation 10 Cotton Road Nashua, NH 03063-1260

¹Call to request an Internal Software Order Form (EN-01740-07).

Reader's Comments

RRD43 CD-ROM Disc Drive
Information for
VAX 4000 Model 100 Systems
EK-RRDCD-IN. A01

Your comments and suggestions help us improve the quality of our publications.
Thank you for your assistance.

I rate this manual's:	Excellent	Good	Fair	Poor
Accuracy (product works as manual says)	<input type="checkbox"/>	<input type="checkbox"/>	<input type="checkbox"/>	<input type="checkbox"/>
Completeness (enough information)	<input type="checkbox"/>	<input type="checkbox"/>	<input type="checkbox"/>	<input type="checkbox"/>
Clarity (easy to understand)	<input type="checkbox"/>	<input type="checkbox"/>	<input type="checkbox"/>	<input type="checkbox"/>
Organization (structure of subject matter)	<input type="checkbox"/>	<input type="checkbox"/>	<input type="checkbox"/>	<input type="checkbox"/>
Figures (useful)	<input type="checkbox"/>	<input type="checkbox"/>	<input type="checkbox"/>	<input type="checkbox"/>
Examples (useful)	<input type="checkbox"/>	<input type="checkbox"/>	<input type="checkbox"/>	<input type="checkbox"/>
Index (ability to find topic)	<input type="checkbox"/>	<input type="checkbox"/>	<input type="checkbox"/>	<input type="checkbox"/>
Page layout (easy to find information)	<input type="checkbox"/>	<input type="checkbox"/>	<input type="checkbox"/>	<input type="checkbox"/>

I would like to see more/less _____

What I like best about this manual is _____

What I like least about this manual is _____

I found the following errors in this manual:

Page	Description
_____	_____
_____	_____
_____	_____

Additional comments or suggestions to improve this manual:

For software manuals, please indicate which version of the software you are using: _____

Name/Title _____ Dept. _____

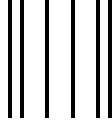
Company _____ Date _____

Mailing Address _____

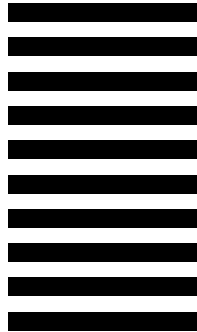
Phone _____

Do Not Tear - Fold Here and Tape

digital™



No Postage
Necessary
If Mailed
in the
United States



BUSINESS REPLY MAIL
FIRST CLASS PERMIT NO. 33 MAYNARD MASS.

POSTAGE WILL BE PAID BY ADDRESSEE

DIGITAL EQUIPMENT CORPORATION
Information Design and Consulting
PKO3-1/D30
129 PARKER STREET
MAYNARD, MA 01754-2198



Do Not Tear - Fold Here