

**ILLUSTRATED
PARTS
BREAKDOWN**

**VT420
VIDEO TERMINAL**

ILLUSTRATED PARTS BREAKDOWN (IPB)

The IPB is used to identify a part and its location in a hardware product. The document references specific item numbers in the associated parts list.

HOW TO USE THE IPB

1. Locate the figure containing the item of interest.
2. Locate the number (callout) of the item of interest.
3. Locate that item number in the associated parts list.

FORMAT

Each IPB is generally organized based on its first figure. All other assemblies and subassemblies are referenced from this figure. Each figure contains numeric callouts of all major parts (items).

PARTS LIST

Each parts list contains the following:

Figure and Item No. – Lists the figure number and its referenced numeric callout

Description – Presents the name and a brief description of the item. A single asterisk (*) preceding the description denotes item is a

subassembly to its referenced figure. A double asterisk (**) preceding the description indicates that this item is subordinate to the preceding single asterisk item.

Digital Part No. – Lists the Digital/Vendor part number. The letter in the column heading indicates the current revision level of the Engineering Drawing for the referenced figure.

ECO Cut-In – Lists the top assembly drawing number and revision level at first printing. All additional revisions to an item are listed in this column.

Used On Code – Lists letters referring to the product variation assigned in Figure 1. When this column is blank, the item is used in all variations.

Ref Fig No. – Lists a cross reference between figures within the IPB.

PART NUMBER/PART DESCRIPTION INDEX SECTION

Lists items by part number numerically, and description alphabetically. Items are also referenced to a location within the IPB by figure and item number.

ECO/REVISION HISTORY

**OTHER IPB
MANUALS
REFERENCED**

FIGURE NO.	ASSEMBLY	INITIAL LEVEL	CURRENT LEVEL	PRINTING DATE	OTHER IPB MANUALS REFERENCED
1	VT420	00000	00000	10-MAY-90	N/A
2	70-26570	00000	00000		

Digital Equipment Corporation reserves the right, without notice, to make substitutions and modifications in the specifications of products documented in this manual and further reserves the right to withdraw any of these products from the market without notice.

Digital Equipment Corporation is not responsible for errors which may appear in the technical description (including illustrations and photographs) of the products covered by this manual.

None of the descriptions contained in this manual imply the granting of any license whatsoever to make, use or sell equipment constructed in accordance therewith.

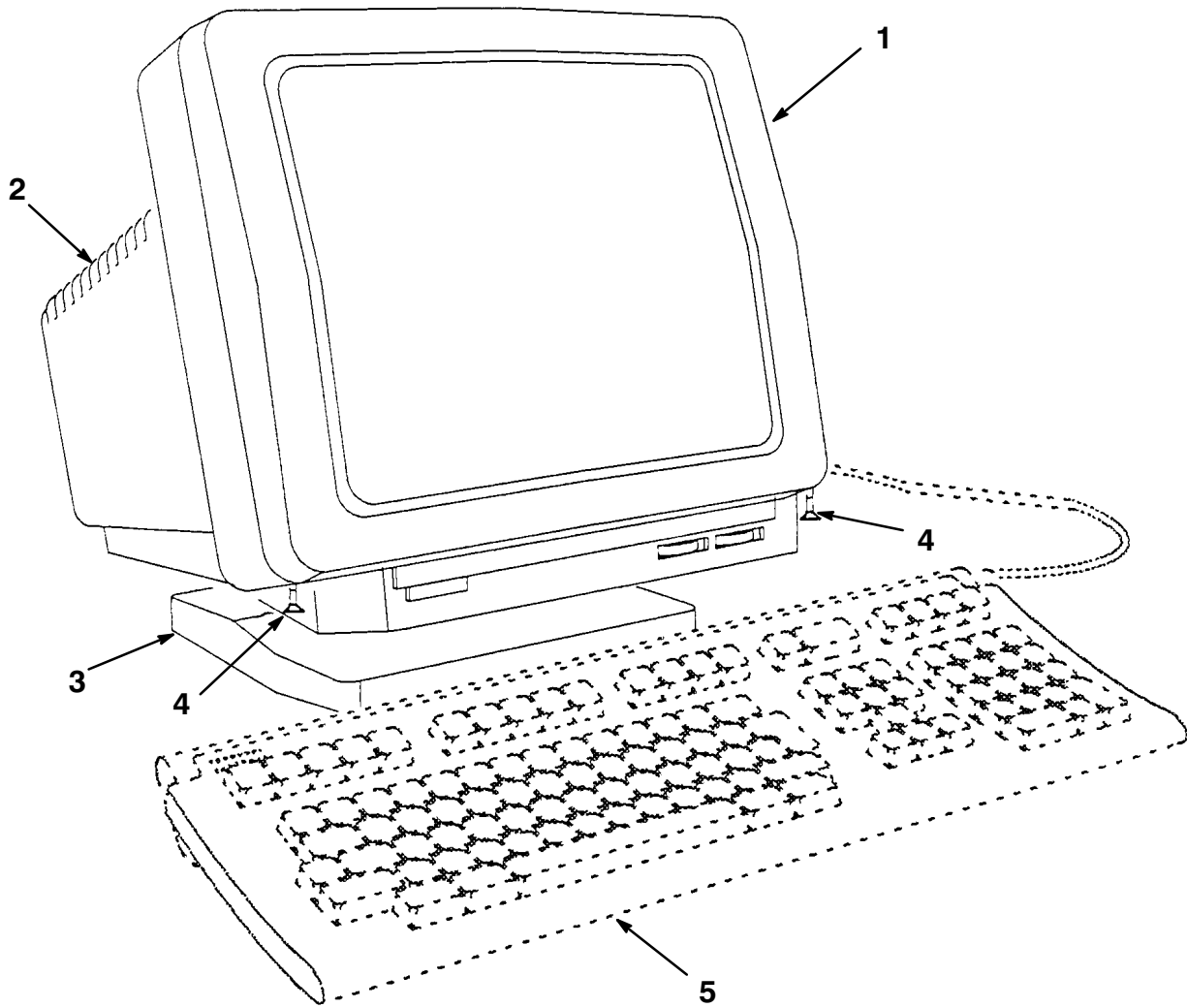
Restricted Rights: Use, duplication or disclosure by the U.S. Government is subject to restrictions as set forth in subparagraph (c) (1) (ii) of the Rights in Technical Data and Computer Software clause at DFARS 252.227-2713.

Copyright © 1990 by Digital Equipment Corporation. All rights reserved.
Printed in U.S.A.

The postage-paid READER'S COMMENTS form on the last page of this document requests your critical evaluation to assist us in preparing future documentation.

The following are trademarks of Digital Equipment Corporation :

DEC, DECdirect, DECUS, PDP, UNIBUS, VAX, VT420 and the DIGITAL logo.



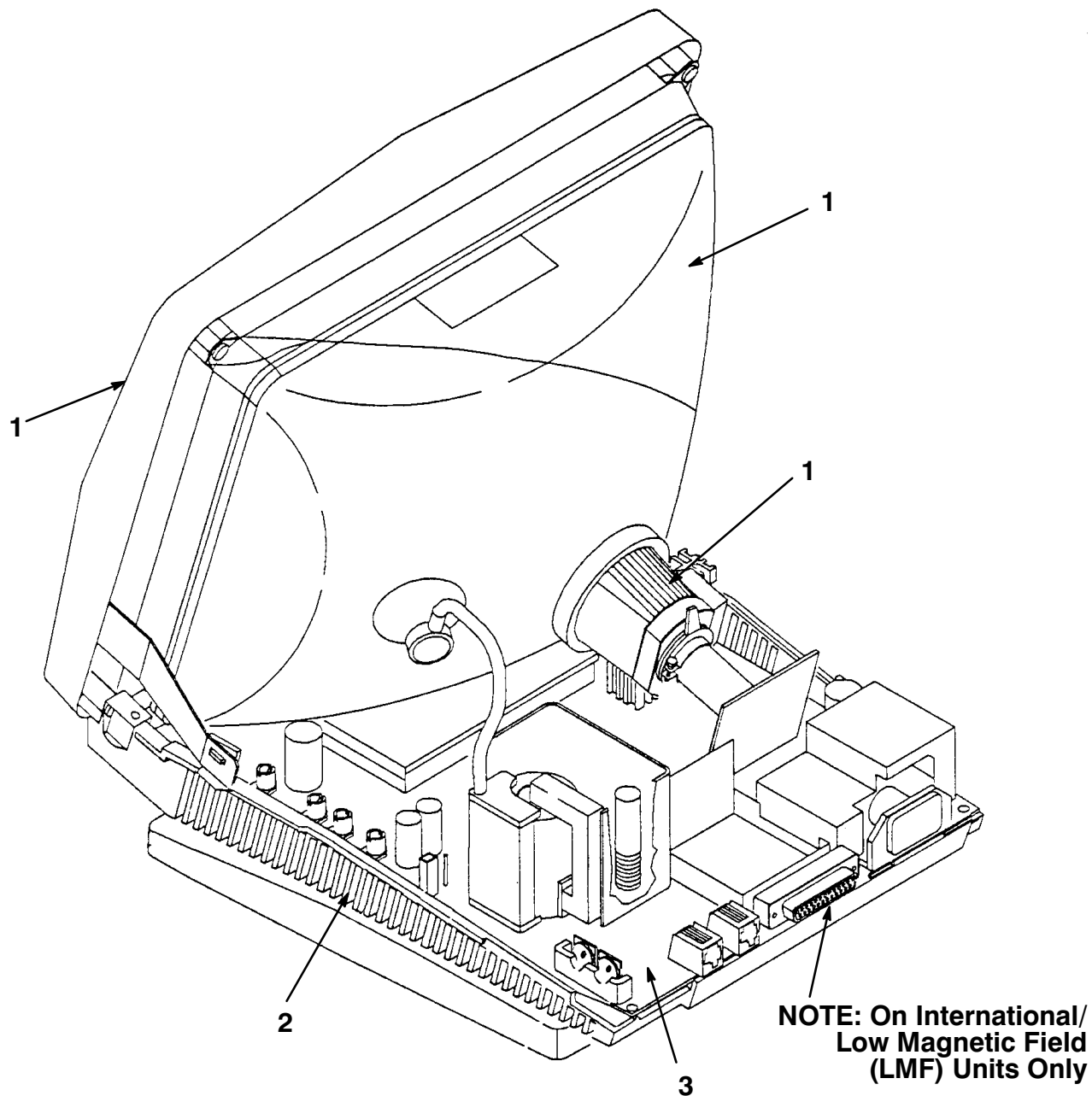
VT420-01-SC

Figure 1. VT420 Video Terminal Assembly

FIG. & ITEM NO.	DESCRIPTION	DIGITAL PART NO. ^A	ECO CUT-IN VT420 00000	USED ON CODE	REF FIG NO.
1-	VT420 VIDEO TERMINAL				
	Code A – Used on VT420–A2 (Monitor, White Phosphor 120V, North American)	VT420–A2		A	
	Code B – Used on VT420–B2 (Monitor, Green Phosphor 120V, North American)	VT420–B2		B	
	Code C – Used on VT420–C2 (Monitor, Amber Phosphor 120V, North American)	VT420–C2		C	
	Code D – Used on VT420–A4 (Monitor, White Phosphor 100V–240V, International)	VT420–A4		D	
	Code E – Used on VT420–A5 (Monitor, White Phosphor 100V–240V, International, Australia/New Zealand)	VT420–A5		E	
	Code F – Used on VT420–A6 (Monitor, White Phosphor 100V–240V, International Low Magnetic Field)	VT420–A6		F	
	Code G – Used on VT420–A7 (Monitor, White Phosphor 100V–240V, Hebrew/ International)	VT420–A7		G	
	Code H – Used on VT420–B4 (Monitor, Green Phosphor 100V–240V, International)	VT420–B4		H	
	Code J – Used on VT420–B5 (Monitor, Green Phosphor 100V–240V, International, Australia/New Zealand)	VT420–B5		J	
	Code K – Used on VT420–B7 (Monitor, Green Phosphor 100V–240V, Hebrew/ International)	VT420–B7		K	
	Code L – Used on VT420–C4 (Monitor, Amber Phosphor 100V–240V, International)	VT420–C4		L	
	Code M – Used on VT420–C5 (Monitor, Amber Phosphor 100V–240V, International, Australia/New Zealand)	VT420–C5		M	
	Code N – Used on VT420–C7 (Monitor, Amber Phosphor 100V–240V, Hebrew/ International)	VT420–C7		N	
	NONORDERABLE ITEMS				
1	*BEZEL/BOTTOM/SYSTEM ASSEMBLY, (White, Phosphor, North American)	70–26570–01		A	2
	*BEZEL/BOTTOM/SYSTEM ASSEMBLY, (Green, Phosphor, North American)	70–26570–02		A	2
	*BEZEL/BOTTOM/SYSTEM ASSEMBLY, (Amber, Phosphor, North American)	70–26570–03		A	2
	*BEZEL/BOTTOM/SYSTEM ASSEMBLY, (White, Phosphor, International)	70–26570–04		A	2

FIG. & ITEM NO.	DESCRIPTION	DIGITAL PART NO. ^A	ECO CUT-IN VT420 00000	USED ON CODE	REF FIG NO.
1-	<p>*BEZEL/BOTTOM/SYSTEM ASSEMBLY, (Green, Phosphor, International)</p> <p>*BEZEL/BOTTOM/SYSTEM ASSEMBLY, (Amber, Phosphor, International)</p> <p>*BEZEL/BOTTOM/SYSTEM ASSEMBLY, (White, Phosphor, International, Low Magnetic Field)</p> <p>*BEZEL/BOTTOM/SYSTEM ASSEMBLY, (White, Phosphor, Hebrew/International)</p> <p>*BEZEL/BOTTOM/SYSTEM ASSEMBLY, (Green, Phosphor, Hebrew/International)</p> <p>*BEZEL/BOTTOM/SYSTEM ASSEMBLY, (Amber, Phosphor, Hebrew/International)</p> <p>*BEZEL/BOTTOM/SYSTEM ASSEMBLY, (White, Phosphor, International, Australia/New Zealand)</p> <p>*BEZEL/BOTTOM/SYSTEM ASSEMBLY, (Green, Phosphor, International, Australia/New Zealand)</p> <p>*BEZEL/BOTTOM/SYSTEM ASSEMBLY, (Amber, Phosphor, International, Australia/New Zealand)</p> <p>MISCELLANEOUS/MECHANICAL FRU'S</p>	<p>70-26570-05</p> <p>70-26570-06</p> <p>70-26570-07</p> <p>70-26570-08</p> <p>70-26570-09</p> <p>70-26570-10</p> <p>70-26570-11</p> <p>70-26570-12</p> <p>70-26570-13</p>		<p>H</p> <p>L</p> <p>F</p> <p>G</p> <p>K</p> <p>N</p> <p>E</p> <p>J</p> <p>M</p>	<p>2</p> <p>2</p> <p>2</p> <p>2</p> <p>2</p> <p>2</p> <p>2</p> <p>2</p> <p>2</p>
2	*Cover/Louver Assembly, Top	70-26542-01			
3	*SWIVEL ASSEMBLY	70-26541-01			
	**Support, Swivel	74-38584-01			
	**Base, Swivel	74-38585-01			
	**Bumper, Rubber 0.63 OD	12-26968-01			
4	*Screw, Captive M4 x 0.7	12-32624-01			
5	*KEYBOARD (See Note)	LK40X-AX			
	MISCELLANEOUS/MECHANICAL FRU'S (NOT SHOWN)				
	*ADAPTER, D-SUB Connector (12-28172-01)	H8571-F		ABC	
	*Cable Assembly, Data (17-00811-02)	BC16E-10		ABC	
	*Cover, Rear	74-34816-02		ABC	
	NOTE: The keyboard shown here is for reference only and is NOT part of this assembly. Refer to the "VT420 User Guide", EK-VT420-UG, for a complete listing of LK40X keyboards.				

THIS PAGE INTENTIONALLY LEFT BLANK



VT420-02-SC

Figure 2. Bezel Assembly

FIG. & ITEM NO.	DESCRIPTION	DIGITAL PART NO. ^A	ECO CUT-IN 70-26570 00000	USED ON CODE	REF FIG NO.
2-	NON-ORDERABLE ITEMS				
*	BEZEL/BOTTOM/SYSTEM ASSEMBLY, (White Phosphor, North American)	70-26570-01		A	1
*	BEZEL/BOTTOM/SYSTEM ASSEMBLY, (Green Phosphor, North American)	70-26570-02		B	1
*	BEZEL/BOTTOM/SYSTEM ASSEMBLY, (Amber Phosphor, North American)	70-26570-03		C	1
*	BEZEL/BOTTOM/SYSTEM ASSEMBLY, (White Phosphor, International)	70-26570-04		D	1
*	BEZEL/BOTTOM/SYSTEM ASSEMBLY, (Green Phosphor, International)	70-26570-05		H	1
*	BEZEL/BOTTOM/SYSTEM ASSEMBLY, (Amber Phosphor, International)	70-26570-06		L	1
*	BEZEL/BOTTOM/SYSTEM ASSEMBLY, (White Phosphor, International, Low Magnetic Field)	70-26570-07		F	1
*	BEZEL/BOTTOM/SYSTEM ASSEMBLY, (White Phosphor, Hebrew/International)	70-26570-08		G	1
*	BEZEL/BOTTOM/SYSTEM ASSEMBLY, (Green Phosphor, Hebrew/International)	70-26570-09		K	1
*	BEZEL/BOTTOM/SYSTEM ASSEMBLY, (Amber Phosphor, Hebrew/International)	70-26570-10		N	1
*	BEZEL/BOTTOM/SYSTEM ASSEMBLY, (White Phosphor, International, Australia/New Zealand)	70-26570-11		E	1
*	BEZEL/BOTTOM/SYSTEM ASSEMBLY, (Green Phosphor, International, Australia/New Zealand)	70-26570-12		J	1
*	BEZEL/BOTTOM/SYSTEM ASSEMBLY, (Amber Phosphor, International, Australia/New Zealand)	70-26570-13		M	1
1	*CRT/Bezel/Yoke Assembly, (White Phosphor) (Nonorderable Item, To Order Use 70-26534-04)	70-26534-01		A	
	*CRT/Bezel/Yoke Assembly, (Green Phosphor) (Nonorderable Item, To Order Use 70-26534-05)	70-26534-02		B	
	*CRT/Bezel/Yoke Assembly, (Amber Phosphor) (Nonorderable Item, To Order Use 70-26534-06)	70-26534-03		C	
	*CRT/Bezel/Yoke Assembly, (White Phosphor) (Major Field Replaceable Unit)	70-26534-04		DG	
	*CRT/Bezel/Yoke Assembly, (Green Phosphor) (Major Field Replaceable Unit)	70-26534-05		HK	
	*CRT/Bezel/Yoke Assembly, (Amber Phosphor) (Major Field Replaceable Ubit)	70-26534-06		LN	

FIG. & ITEM NO.	DESCRIPTION	DIGITAL PART NO. ^A	ECO CUT-IN 70-26570 00000	USED ON CODE	REF FIG NO.
2-	*CRT/Bezel/Yoke Assembly, (White Phosphor, LMF) (Major Field Replaceable Unit) *CRT/Bezel/Yoke Assembly, (White Phosphor) (Major Field Replaceable Unit) *CRT/Bezel/Yoke Assembly, (Green Phosphor) (Major Field Replaceable Unit) *CRT/Bezel/Yoke Assembly, (Amber Phosphor) (Major Field Replaceable Unit)	70-26534-07 70-26534-08 70-26534-09 70-26534-10		F E J M	
2	*Bottom Assembly, (Nonorderable Item)	70-26535-01			
3	*Module Assembly, (North American) (Major Field Replaceable Unit) *Module Assembly, (North American) (Major Field Replaceable Unit) *Module Assembly, (International, Low Magnetic Field) (Major Field Replaceable Unit) *Module Assembly, (Hebrew/International) (Major Field Replaceable Unit)	70-26536-01 70-26536-02 70-26536-03 70-26536-04		ABC DEHJ LM F GKN	

THIS PAGE INTENTIONALLY LEFT BLANK

PART NUMBER/DESCRIPTION INDEX 

THIS PAGE INTENTIONALLY LEFT BLANK

INDEX BY DIGITAL PART NUMBER
VT420 VIDEO TERMINAL

PART NO.	DESCRIPTION	FIG NO.	ITEM NO.
12-26968-01	Bumper, Rubber 0.63 OD	1	3
12-32624-01	Screw, Captive M4 x 0.7	1	4
70-26534-01	CRT/Bezel/Yoke Assembly, (White Phosphor) (Nonorderable Item, to Order Use 70-26534-04)	2	1
70-26534-02	CRT/Bezel/Yoke Assembly, (Green Phosphor) (Nonorderable Item, to Order Use 70-26534-05)	2	1
70-26534-03	CRT/Bezel/Yoke Assembly, (Amber Phosphor) (Nonorderable Item, to Order Use 70-26534-06)	2	1
70-26534-04	CRT/Bezel/Yoke Assembly, (White Phosphor) (Major Field Replaceable Unit)	2	1
70-26534-05	CRT/Bezel/Yoke Assembly, (Green Phosphor) (Major Field Replaceable Unit)	2	1
70-26534-06	CRT/Bezel/Yoke Assembly, (Amber Phosphor) (Major Field Replaceable Unit)	2	1
70-26534-07	CRT/Bezel/Yoke Assembly, (White Phosphor, Low Magnetic Field) (Major Field Replaceable Unit)	2	1
70-26534-08	CRT/Bezel/Yoke Assembly, (White Phosphor) (Major Field Replaceable Unit)	2	1
70-26534-09	CRT/Bezel/Yoke Assembly, (Green Phosphor) (Major Field Replaceable Unit)	2	1
70-26534-10	CRT/Bezel/Yoke Assembly, (Amber Phosphor) (Major Field Replaceable Unit)	2	1
70-26535-01	Bottom Assembly, (Nonorderable Item)	2	2
70-26536-01	Module Assembly, (North American) (Major Field Replaceable Unit)	2	3
70-26536-02	Module Assembly, (International) (Major Field Replaceable Unit)	2	3
70-26536-03	Module Assembly, (International) (Low Magnetic Field) (Major Replaceable Unit)	2	3
70-26536-04	Module Assembly, (Hebrew/International) (Major Field Replaceable Unit)	2	3
70-26541-01	Swivel Assembly	1	3
70-26542-01	Cover/Louver Assembly, Top	1	2
70-26570-01	BEZEL/BOTTOM/SYSTEM ASSEMBLY, (White Phosphor, North American)	1	1
70-26570-01	BEZEL/BOTTOM/SYSTEM ASSEMBLY, (White, Phosphor, North American)	2	N/A
70-26570-02	BEZEL/BOTTOM/SYSTEM ASSEMBLY, (Green Phosphor, North American)	2	N/A
70-26570-02	BEZEL/BOTTOM/SYSTEM ASSEMBLY, (Green Phosphor, North American)	1	1
70-26570-03	BEZEL/BOTTOM/SYSTEM ASSEMBLY, (Amber Phosphor, North American)	1	1
70-26570-03	BEZEL/BOTTOM/SYSTEM ASSEMBLY, (Amber Phosphor, North American)	2	N/A
70-26570-04	BEZEL/BOTTOM/SYSTEM ASSEMBLY, (White Phosphor, International)	1	1
70-26570-04	BEZEL/BOTTOM/SYSTEM ASSEMBLY, (White Phosphor, International)	2	N/A
70-26570-05	BEZEL/BOTTOM/SYSTEM ASSEMBLY, (Green Phosphor, International)	2	N/A
70-26570-05	BEZEL/BOTTOM/SYSTEM ASSEMBLY, (Green Phosphor, International)	1	1

INDEX BY DIGITAL PART NUMBER
VT420 VIDEO TERMINAL

PART NO.	DESCRIPTION	FIG NO.	ITEM NO.
70-26570-06	BEZEL/BOTTOM/SYSTEM ASSEMBLY, (Amber Phosphor, International)	1	1
70-26570-06	BEZEL/BOTTOM/SYSTEM ASSEMBLY, (Amber Phosphor, International)	2	N/A
70-26570-07	BEZEL/BOTTOM/SYSTEM ASSEMBLY, (White Phosphor, International, Low Magnetic Field)	2	N/A
70-26570-07	BEZEL/BOTTOM/SYSTEM ASSEMBLY, (White Phosphor, International, Low Magnetic Field)	1	1
70-26570-08	BEZEL/BOTTOM/SYSTEM ASSEMBLY, (White Phosphor, Hebrew/International)	1	1
70-26570-08	BEZEL/BOTTOM/SYSTEM ASSEMBLY, (White Phosphor, Hebrew/International)	2	N/A
70-26570-09	BEZEL/BOTTOM/SYSTEM ASSEMBLY, (Green Phosphor, Hebrew/International)	1	1
70-26570-09	BEZEL/BOTTOM/SYSTEM ASSEMBLY, (Green Phosphor, Hebrew/International)	2	N/A
70-26570-10	BEZEL/BOTTOM/SYSTEM ASSEMBLY, (Amber Phosphor, Hebrew/International)	1	1
70-26570-10	BEZEL/BOTTOM/SYSTEM ASSEMBLY, (Amber Phosphor, Hebrew/International)	2	N/A
70-26570-11	BEZEL/BOTTOM/SYSTEM ASSEMBLY, (White Phosphor, International/Australia/New Zealand)	1	1
70-26570-11	BEZEL/BOTTOM/SYSTEM ASSEMBLY, (White Phosphor, International/Australia/New Zealand)	1	1
70-26570-12	BEZEL/BOTTOM/SYSTEM ASSEMBLY, (Green Phosphor, International/Australia/New Zealand)	1	1
70-26570-12	BEZEL/BOTTOM/SYSTEM ASSEMBLY, (Green Phosphor, International/Australia/New Zealand)	2	N/A
70-26570-13	BEZEL/BOTTOM/SYSTEM ASSEMBLY, (Amber Phosphor, International/Australia/New Zealand)	1	1
70-26570-13	BEZEL/BOTTOM/SYSTEM ASSEMBLY, (Amber Phosphor, Hebrew/International)	2	N/A
74-34816-02	Cover, Rear	1	Not Shown
74-38584-01	Support, swivel	1	3
74-38585-01	Base, Swivel	1	3
BC16E-10	Cable Assembly, Data (17-00811-02)	1	Not Shown
H8571-F	Adapter, D-SUB Connector (12-28172-01)	1	Not Shown
LK40X-AX	KEYBOARD	1	5
N/A	VT420 VIDEO TERMINAL	1	5
VT420-A2	VT420-A2 (Monitor, White Phosphor 120V, North American)	1	N/A
VT420-A4	VT420-A4 (Monitor, White Phosphor 100V-240V, International)	1	N/A
VT420-A5	VT420-A5 (Monitor, White Phosphor 100V-240V, International/Australia/New Zealand)	1	N/A
VT420-A6	VT420-A6 (Monitor, White Phosphor 100V-240V, International, Low Magnetic Field)	1	N/A

INDEX BY DIGITAL PART NUMBER
VT420 VIDEO TERMINAL

PART NO.	DESCRIPTION	FIG NO.	ITEM NO.
VT420-A7	VT420-A7 (Monitor, White Phosphor 100V-240V, Hebrew/International)	1	N/A
VT420-B2	VT420-B2 (Monitor, Green Phosphor 120V, North American)	1	N/A
VT420-B4	VT420-B4 (Monitor, Green Phosphor 100V-240V, International)	1	N/A
VT420-B5	VT420-B5 (Monitor, Green Phosphor 100V-240V, International/Australia/New Zealand)	1	N/A
VT420-B7	VT420-B7 (Monitor, Green Phosphor 100V-240V, Hebrew/International)	1	N/A
VT420-C2	VT420-C2 (Monitor, Amber Phosphor 120V, North American)	1	N/A
VT420-C4	VT420-C4 (Monitor, Amber Phosphor 100V-240V, International)	1	N/A
VT420-C5	VT420-C5 (Monitor, Amber Phosphor 100V-240V, International/Australia/New Zealand)	1	N/A
VT420-C7	VT420-C7 (Monitor, Amber Phosphor 100V-240V, Hebrew/International)	1	N/A

INDEX BY DIGITAL PART NUMBER
VT420 VIDEO TERMINAL

PART NO.	DESCRIPTION	FIG NO.	ITEM NO.
-------------	-------------	------------	-------------

THIS PAGE INTENTIONALLY LEFT BLANK

INDEX BY DIGITAL PART DESCRIPTION
VT420 VIDEO TERMINAL

DESCRIPTION	PART NO.	FIG. NO.	ITEM NO.
Adapter, D-Sub Connector (12-28172-01) Base, Swivel	H8571-F 74-38585-01	1 1	Not Shown 3
BEZEL/BOTTOM/SYSTEM ASSEMBLY, (Amber Phosphor, Hebrew/International)	70-26570-10	1	1
BEZEL/BOTTOM/SYSTEM ASSEMBLY, (Amber Phosphor, Hebrew/International)	70-26570-10	2	N/A
BEZEL/BOTTOM/SYSTEM ASSEMBLY, (Amber Phosphor, International)	70-26570-06	1	1
BEZEL/BOTTOM/SYSTEM ASSEMBLY, (Amber Phosphor, International)	70-26570-06	2	N/A
BEZEL/BOTTOM/SYSTEM ASSEMBLY, (Amber Phosphor, International/Hebrew/International)	70-26570-13	1	1
BEZEL/BOTTOM/SYSTEM ASSEMBLY, (Amber Phosphor, International/Hebrew/International)	70-26570-13	2	N/A
BEZEL/BOTTOM/SYSTEM ASSEMBLY, (Amber Phosphor, North American)	70-26570-03	1	1
BEZEL/BOTTOM/SYSTEM ASSEMBLY, (Amber Phosphor, North American)	70-26570-03	2	N/A
BEZEL/BOTTOM/SYSTEM ASSEMBLY, (Green Phosphor, Hebrew/International)	70-26570-09	1	1
BEZEL/BOTTOM/SYSTEM ASSEMBLY, (Green Phosphor, Hebrew/International)	70-26570-09	2	N/A
BEZEL/BOTTOM/SYSTEM ASSEMBLY, (Green Phosphor, International)	70-26570-05	1	1
BEZEL/BOTTOM/SYSTEM ASSEMBLY, (Green Phosphor, International)	70-26570-05	2	N/A
BEZEL/BOTTOM/SYSTEM ASSEMBLY, (Green Phosphor, International/Australia/New Zealand)	70-26570-12	1	1
BEZEL/BOTTOM/SYSTEM ASSEMBLY, (Green Phosphor, International/Australia/New Zealand)	70-26570-12	1	1
BEZEL/BOTTOM/SYSTEM ASSEMBLY, (Green Phosphor, North American)	70-26570-02	1	1
BEZEL/BOTTOM/SYSTEM ASSEMBLY, (Green Phosphor, North American)	70-26570-02	2	N/A
BEZEL/BOTTOM/SYSTEM ASSEMBLY, (White Phosphor, Hebrew/International)	70-26570-08	1	1
BEZEL/BOTTOM/SYSTEM ASSEMBLY, (White Phosphor, Hebrew/International)	70-26570-08	2	N/A
BEZEL/BOTTOM/SYSTEM ASSEMBLY, (White Phosphor, International)	70-26570-04	1	1
BEZEL/BOTTOM/SYSTEM ASSEMBLY, (White Phosphor, International)	70-26570-04	2	N/A
BEZEL/BOTTOM/SYSTEM ASSEMBLY, (White Phosphor, International/Australia/New Zealand)	70-26570-11	1	1
BEZEL/BOTTOM/SYSTEM ASSEMBLY, (White Phosphor, International/Australia/New Zealand)	70-26570-11	1	1
BEZEL/BOTTOM/SYSTEM ASSEMBLY, (White Phosphor, International, Low Magnetic Field)	70-26570-07	1	1
BEZEL/BOTTOM/SYSTEM ASSEMBLY, (White Phosphor, International, Low Magnetic Field)	70-26570-07	2	N/A
BEZEL/BOTTOM/SYSTEM ASSEMBLY, (White Phosphor, North American)	70-26570-01	1	1

INDEX BY DIGITAL PART DESCRIPTION
VT420 VIDEO TERMINAL

DESCRIPTION	PART NO.	FIG. NO.	ITEM NO.
BEZEL/BOTTOM/SYSTEM ASSEMBLY, (White Phosphor, North American)	70-26570-01	1	1
Bottom Assembly, (Nonorderable Item)	70-26535-01	2	2
Bumper, Rubber 0.63 OD	12-26968-01	1	3
Cable Assembly, Data (17-00811-02)	BC16E-10	1	Not Shown
Cover, Rear	74-34816-02	1	Not Shown
Cover/Louver Assembly, Top	70-26542-01	1	2
CRT/Bezel/Yoke Assembly, (Amber Phosphor) (Major Field Replaceable Unit)	70-26534-10	2	1
CRT/Bezel/Yoke Assembly, (Amber Phosphor) (Major Field Replaceable Unit)	70-26534-06	2	1
CRT/Bezel/Yoke Assembly, (Amber Phosphor) (Nonorderable Item, TO Order Use 70-26534-06)	70-26534-03	2	1
CRT/Bezel/Yoke Assembly, (Green Phosphor) (Major Field Replaceable Unit)	70-26534-05	2	1
CRT/Bezel/Yoke Assembly, (Green Phosphor) (Major Field Replaceable Unit)	70-26534-09	2	1
CRT/Bezel/Yoke Assembly, (Green Phosphor) (Nonorderable Item, To Order Use 70-26534-05)	70-26534-02	2	1
CRT/Bezel/Yoke Assembly, (White Phosphor) (Major Field Replaceable Unit)	70-26534-08	2	1
CRT/Bezel/Yoke Assembly, (White Phosphor) (Major Field Replaceable Unit)	70-26534-04	2	1
CRT/Bezel/Yoke Assembly, (White Phosphor) (Nonorderable Item, To Order Use 70-26534-04)	70-26534-01	2	1
CRT/Bezel/Yoke Assembly, (White Phosphor) (Low Magnetic Field) (Major Field Replaceable Unit)	70-26534-04	2	1
KEYBOARD	LK40X-AX	1	5
Module Assembly, (Hebrew/International) (Major Field Replaceable Unit)	70-26536-04	2	3
Module Assembly, (International) (Major Field Replaceable Unit)	70-26536-02	2	3
Module Assembly, (International) (Low Magnetic Field) (Major Replaceable Unit)	70-26536-03	2	3
Module Assembly, (North American) (Major Replaceable Unit)	70-26536-01	2	3
Screw, Captive M4 x 0.7	12-32624-01	1	4
Support, Swivel	74-38584-01	1	3
Swivel Assembly	70-26541-01	1	3
VT420 VIDEO TERMINAL	N/A	1	N/A
VT420-A2 (Monitor, White Phosphor 120V, North American)	VT420-A2	1	N/A
VT420-A4 (Monitor, White Phosphor 100V-240V, International)	VT420-A4	1	N/A
VT420-A5 (Monitor, White Phosphor 100V-240V, International/Australia/New Zealand)	VT420-A5	1	N/A
VT420-A6 (Monitor, White Phosphor 100V-240V, International, Low Magnetic Field)	VT420-A6	1	N/A
VT420-A7 (Monitor, White Phosphor 100V-240V, Hebrew/International)	VT420-A7	1	N/A

INDEX BY DIGITAL PART DESCRIPTION
VT420 VIDEO TERMINAL

DESCRIPTION	PART NO.	FIG. NO.	ITEM NO.
VT420-B2 (Monitor, Green Phosphor 120V, North American)	VT420-B2	1	N/A
VT420-B4 (Monitor, Green Phosphor 100V-120V, International)	VT420-B4	1	N/A
VT420-B5 (Monitor, Green Phosphor 100V-120V, International/Australia/New Zealand)	VT420-B5	1	N/A
VT420-B7 (Monitor, Green Phosphor 100V-120V, Hebrew/International)	VT420-B7	1	N/A
VT420-C2 (Monitor, Amber Phosphor 120V, North American)	VT420-C2	1	N/A
VT420-C4 (Monitor, Amber Phosphor 100V-120V, International)	VT420-C4	1	N/A
VT420-C5 (Monitor, Amber Phosphor 100V-120V, International/Australia/New Zealand)	VT420-C5	1	N/A
VT420-C7 (Monitor, Amber Phosphor 100V-120V, Hebrew/International)	VT420-C7	1	N/A

INDEX BY DIGITAL PART DESCRIPTION
VT420 VIDEO TERMINAL

DESCRIPTION	PART NO.	FIG. NO.	ITEM NO.
-------------	-------------	-------------	-------------

THIS PAGE INTENTIONALLY LEFT BLANK