

**ILLUSTRATED
PARTS
BREAKDOWN**

**655QS
PEDESTAL SYSTEM**

HOW TO USE THE IPB

GENERAL

This IPB is compiled following the organization and nomenclature of the engineering drawing structure.

MAJOR ASSEMBLY LOCATOR (When Applicable)

The Major Assembly Locator (first illustration) is an index that provides a description and a figure reference for all illustrations used in this manual.

INDENTED PARTS LIST

This manual identifies each assembly being broken down (figure reference callout), and all parts of that assembly. Further breakdown of an assembly is shown by an asterisk (*) preceding the item callouts in the Description Column. The number of asterisks preceding an item is used to denote the subordination of that item with respect to the Major Assembly. A single asterisk preceding an item description indicates that the item is part of the major assembly being illustrated. Items that are subordinate to single asterisks items, are denoted by two asterisks (**) and immediately follow the related single asterisk item. This system of part identification provides a means for the user to identify the next higher assembly item and make alternate selections for parts when the required replacement part of assembly is not immediately available.

COLUMN CALLOUT DESCRIPTION

Figure and Item - Indicates the figure number and item number of each part.

Description - Lists the name of the part and pertinent specifications (when required). Asterisks preceding the description denote the subordination of the part to the next higher assembly.

DEC Part No. - Lists the Digital part ordering number. A blank in this column indicates a Digital part number was not assigned at the time of publication.

ECO Cut-In - The notation at the top of this column indicates the ECO level of the system (option), at which the IPB was initially prepared. Subsequent ECO level designations, that modify existing parts or add new parts to the device, are inserted in the ECO Cut-In column next to the part that is added or modified.

Used On Code - Letters in this column correspond to the variation codes assigned in Figure 1. Parts with an Alpha notation(s) are used only in those option variations. A blank indicates that the part is used on all option variations.

Ref Fig No. - A cross reference between illustrations. For each Major Assembly, the number in this column denotes the figure of the next higher assembly. For all sub-assemblies, the number in this column denotes the figure showing additional detailed breakdown.

PART NUMBER/PART DESCRIPTION SORT SECTION

Parts are sorted both numerically and alphabetically by description, referenced to a location within the IPB, by figure number and item number.

REVISION HISTORY

PRINTING	ECO LEVEL		DATE	OTHER IPB MANUALS REFERENCED
	FIGURE	ITEM		
1st Printing	655QS	00000-00000	3-APR-89	EK-BA213-IP
	70-23988	00001-00001		
	70-24046	00001-00001		
	70-24037	00001-00001		
	70-24041	00000-00000		

Digital Equipment Corporation reserves the right, without notice, to make substitutions and modifications in the specifications of products documented in this manual and further reserves the right to withdraw any of these products from the market without notice.

Digital Equipment Corporation is not responsible for errors which may appear in the technical description (including illustrations and photographs) of the products covered by this manual.

None of the descriptions contained in this manual imply the granting of any license whatsoever to make, use or sell equipment constructed in accordance therewith.

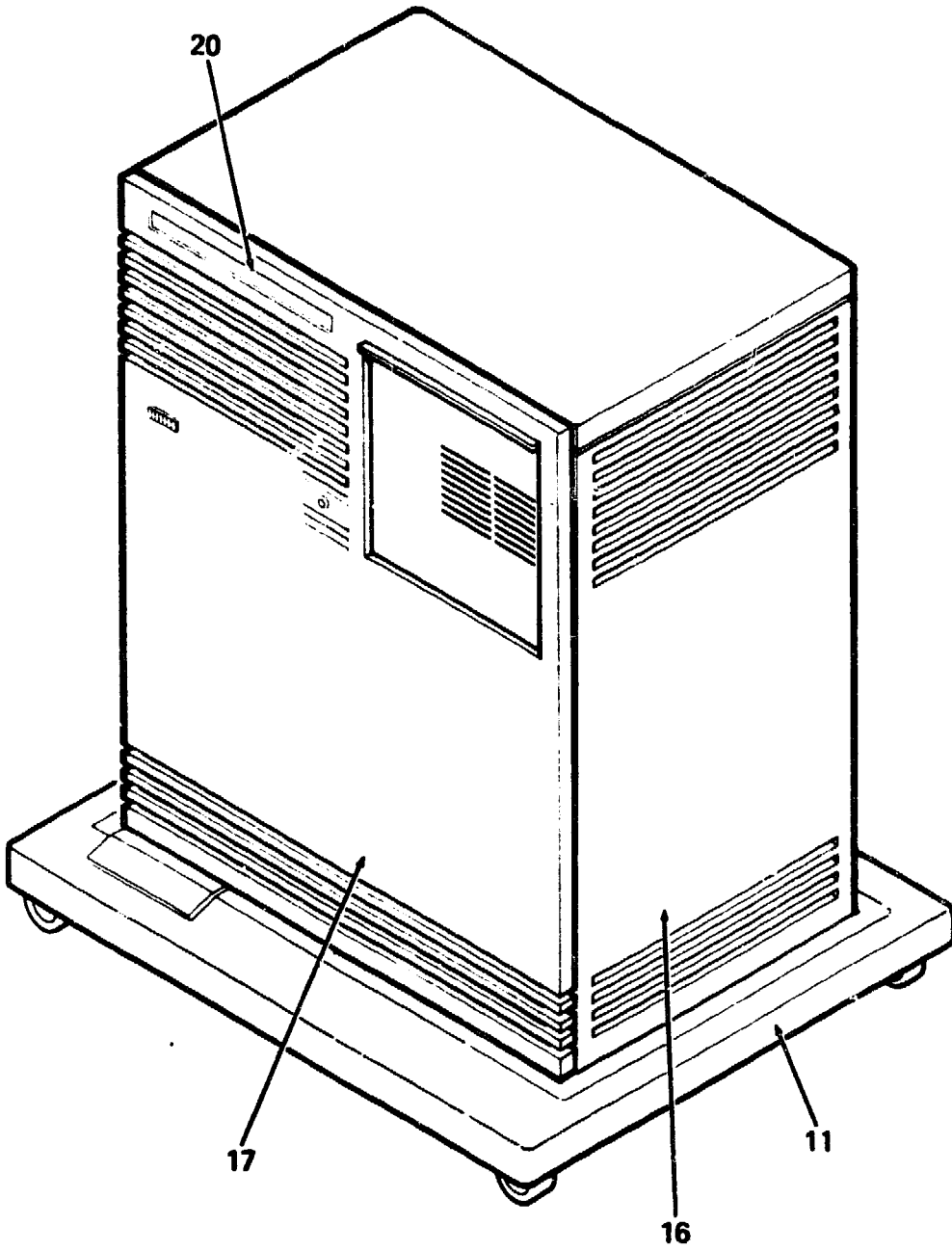
Copyright © 1989 by Digital Equipment Corporation. All rights reserved.

The postage-paid **READER'S COMMENTS** form on the last page of this document requests your critical evaluation to assist us in preparing future documentation.

The following are trademarks of Digital Equipment Corporation :

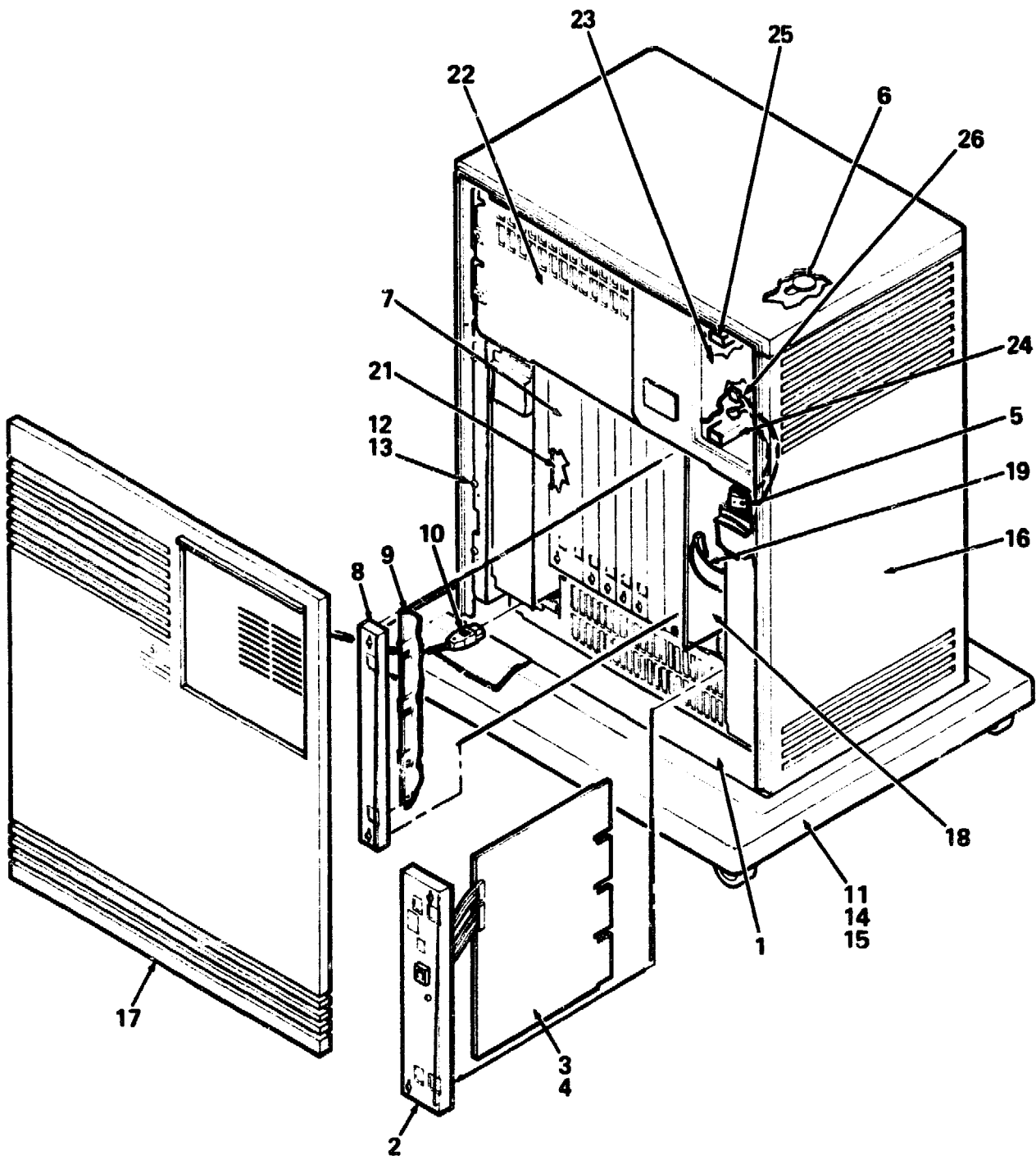


BA213
DEC
DECUS
MicroVAX 3800
PDP
rtVAX 3800
UNIBUS
VAXserver 3800



655QS-01

Figure 1. 655QS Pedestal System (Sheet 1 of 2)



655QS-01A

Figure 1. 655QS Pedestal System (Sheet 2 of 2)

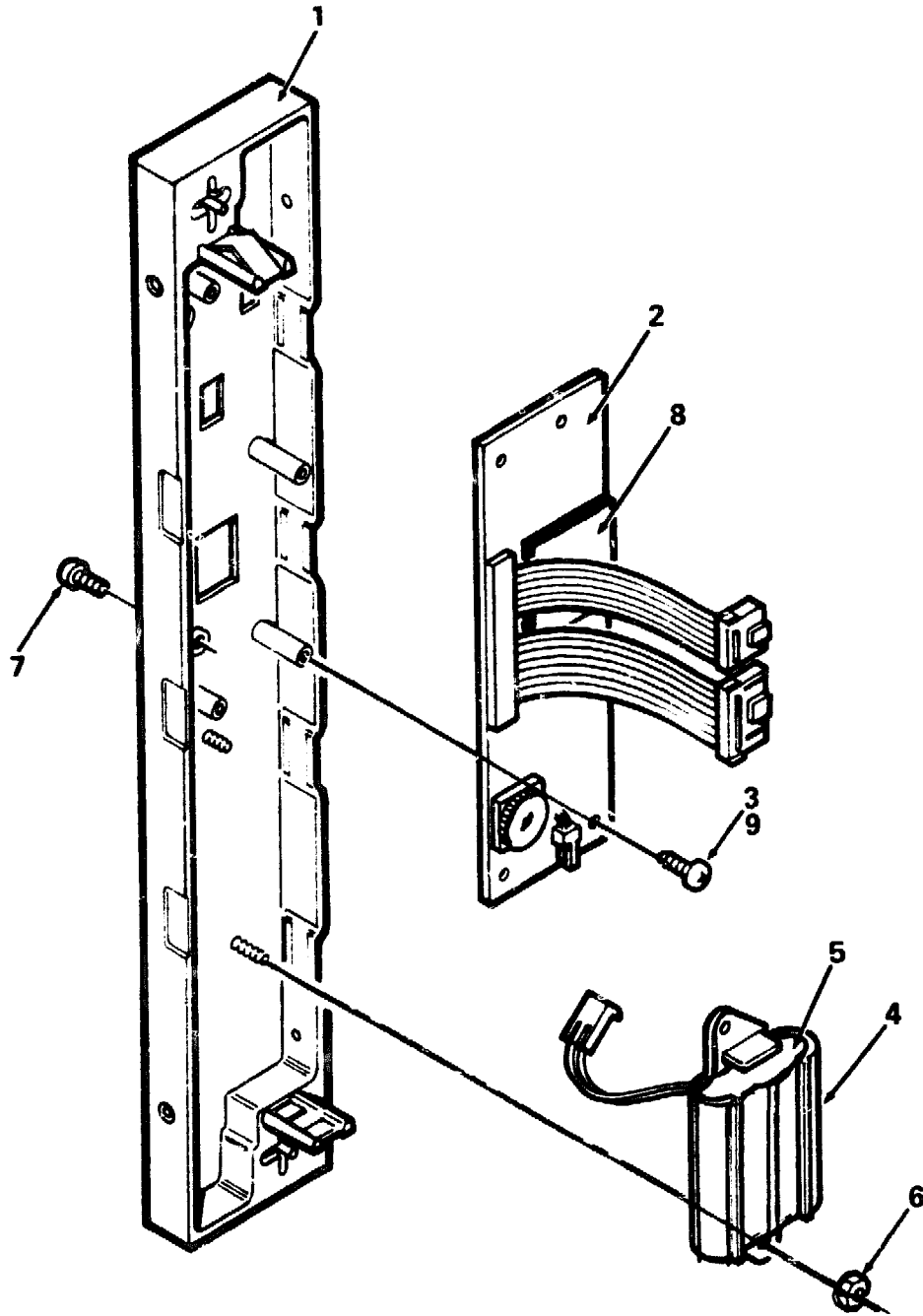
FIG. & ITEM NO.	DESCRIPTION	DEC PART NO.	ECO CUT-IN 655QS 00000	USED ON CODE	REF FIG NO.
1-	<p>655QS PEDESTAL SYSTEM</p> <p>Code A - Used on Model 655QS-A2 120V Timeshare.w/16 Meg Memory (w/o Skins)</p> <p>Code B - Used on Model 655QS-A3 240V Timeshare.w/16 Meg Memory (w/o Skins)</p> <p>Code C - Used on Model 655QS-B2 120V Timeshare, w/16 Meg Memory (w/Skins)</p> <p>Code D - Used on Model 655QS-B3 240V Timeshare, w/16 Meg Memory (w/Skins)</p> <p>Code E - Used on Model 655QS-C2 120V Timeshare, w/16 Meg Memory (w/o Skins, Rack Kit)</p> <p>Code F - Used on Model 655QS-C3 240V Timeshare, w/16 Meg Memory (w/o Skins, Rack Kit)</p> <p>Code G - Used on Model 655QS-D2 120V Timeshare, w/16 Meg Memory (w/o Skins, Wall Kit)</p> <p>Code H - Used on Model 655QS-D3 240V Timeshare, w/16 Meg Memory (w/o Skins, Wall Kit)</p> <p>Code J - Used on Model 655QS-E2 120V Server w/16 Meg Memory (w/o Skins)</p> <p>Code K - Used on Model 655QS-E3 240V Server w/16 Meg Memory (w/o Skins)</p> <p>Code L - Used on Model 655QS-F2 120V Server w/16 Meg Memory (w/Skins)</p> <p>Code M - Used on Model 655QS-F3 240V Server w/16 Meg Memory (w/Skins)</p> <p>Code N - Used on Model 655QS-H2 120V Server w/16 Meg Memory (w/o Skins, Rack Kit)</p> <p>Code P - Used on Model 655QS-H3 240V Server w/16 Meg Memory (w/o Skins, Rack Kit)</p> <p>Code Q - Used on Model 655QS-J2 120V Server w/16 Meg Memory (w/o Skins, Wall Kit)</p> <p>Code R - Used on Model 655QS-J3 240V Server w/16 Meg Memory (w/o Skins, Wall Kit)</p>	<p>655QS-A2</p> <p>655QS-A3</p> <p>655QS-B2</p> <p>655QS-B3</p> <p>655QS-C2</p> <p>655QS-C3</p> <p>655QS-D2</p> <p>655QS-D3</p> <p>655QS-E2</p> <p>655QS-E3</p> <p>655QS-F2</p> <p>655QS-F3</p> <p>655QS-H2</p> <p>655QS-H3</p> <p>655QS-J2</p> <p>655QS-J3</p>		<p>A</p> <p>B</p> <p>C</p> <p>D</p> <p>E</p> <p>F</p> <p>G</p> <p>H</p> <p>J</p> <p>K</p> <p>L</p> <p>M</p> <p>N</p> <p>P</p> <p>Q</p> <p>R</p>	

FIG. & ITEM NO.	DESCRIPTION	A DEC PART NO.	ECO CUT-IN 655QS 00000	USED ON CODE	REF FIG NO.
1- 1	*BA213 UNIT ASSEMBLY 120V (2 P.S.) (See IPB Manual EK-BA213-IP)	70-24227-03		ACEG JLNQ	
	*BA213 UNIT ASSEMBLY 240V (2 P.S.) (See IPB Manual EK-BA213-IP)	70-24227-04		BDFH KMPP	
2	*BULKHEAD ASSEMBLY, H3600 MODULE	70-23988-01			2
3	*Module, CVAX CPU (Timeshare)	M7625-AA		A-H	
4	*Module, CVAX CPU (Server)	M7625-BA		J-R	
5	*Frame, Switch	74-35417-01		CDLM	
6	*Plug, Button	90-07064-00		AB E-K N-R	
7	*Bulkhead Assembly, Front Dual	70-23982-02			
8	*Bulkhead Assembly, Front,	70-23981-01			
9	*Panel Assembly, Gap Filler	70-24071-01			
10	*Power Cord	17-00083-43		ACEG JLNQ	
11	*BASE ASSEMBLY	70-24046-01		CDLM	3
12	*Screw, Self Tap Phi Pan Hd No.6 x 1/2	90-09800-08		CDLM	
13	*Washer, Flat	90-06661-00		CDLM	
14	*Screw, Sems Phi Pan Hd No.10-32 x 15/16	90-09282-00		CDLM	
15	*Fastener, 1/4 Turn	74-33854-01		CDLM	
16	*ENCLOSURE ASSEMBLY, SHELL	70-24037-01		CDLM	4
17	*PANEL ASSEMBLY, FRONT	70-24041-01		CDLM	5
18	*Module, 16 Meg. RAM Memory	MS650-BA			
19	*Cable Assembly, 50 Cond Flat	17-01898-01			
	*Cable Assembly, 50 Cond Flat	17-01898-02			
	*Cable Assembly, 50 Cond Flat	17-01898-03			
20	*Nameplate, MicroVAX 3800	74-34425-26		CD	
	*Nameplate, VAXserver 3800	74-34425-27		LM	
	*Nameplate, rtVAX 3800	74-34435-23		LM	
21	*Module, Load	M9060-YA			
22	*Panel, Front	70-23995-04			
23	*Panel, 5 1/4" Tape Drive Filler	74-36425-01			
24	*Mount Assembly, Bottom Shock	70-25452-04			
25	*Mount Assembly, Top Shock	70-25452-03			
26	*Harness Assembly	17-01362-01			

FIG. & ITEM NO.	DESCRIPTION	A DEC PART NO.	ECO CUT-IN 655QS 00000	USED ON CODE	REF FIG NO.
1-	KITS (Not Shown)				
	*BIZ ACCESSORIES KIT (w/o Skins)	70-24316-01		AEG JNQ	
	**Cable Assembly	17-00811-02			
	**Connector, Adaptor	12-23599-01			
	**Screwdriver, Flat Blade	47-00042-01			
	**Label, "S-Box"	36-27923-01			
	*BIZ ACCESSORIES KIT (w/Skins)	70-24316-02		CM	
	**Key, Plastic	12-17119-01			
	**Cable Assembly	17-00811-02			
	**Connector, Adaptor	12-23599-01			
	**Screwdriver, Flat Blade	47-00042-01			
	**Label, "S-Box, Module Utilization"	36-27923-01			
	*BIZ ACCESSORIES KIT (w/o Skins)	70-24316-03		BFH KPR	
	**Cable Assembly	17-01364-02			
	**Connector, Adaptor	12-23599-01			
	**Connector, Adaptor	12-23599-05			
	**Screwdriver, Flat Blade	47-00042-01			
	**Label, "S-Box, Module Utilization"	36-27923-01			
	*BIZ ACCESSORIES KIT (w/o Skins)	70-24316-04		DM	
	**Key, Plastic	12-17119-01			
	**Connector, Adaptor	12-23599-01			
	**Connector, Adaptor	12-23599-05			
	**Cable Assembly	17-01364-02			
	**Screwdriver, Flat Blade	47-00042-01			
	**Label, "S-Box, Module Utilization"	36-27923-01			
	*RACK MOUNT KIT, BA213 LARGE S-BOX	BA213-RA		EFNP	
	**Guide, Rack Mount Installation	EK-213RA-IN			
	**Hardware, Rack Mount	70-24263-02			
	***Support Mounting	74-34638-01			
	***Screw, Sems Phi Pan Hd No. 10-32 x 1/2	90-09700-00			
	***U-Nut, Retainer	90-07786-00			
	*WALL MOUNT KIT, BA213 LARGE S-BOX	BA213-WA		GHQR	
	**Guide, Wall Mount Installation	EK-213WA-IN			
	**Hardware, Wall Mount	70-24263-01			
	**Bracket, Wall Mount	74-34432-01			
	***Screw, Sems Phi Pan Hd No. 10-32 x 3/8	90-09228-10			

FIG. & ITEM NO.	DESCRIPTION	A DEC PART NO.	ECO CUT-IN 655QS 00000	USED ON CODE	REF FIG NO.
1-	LABELS (Not Shown)				
	*Label, "Module Number M7625-AA"	36-26883-70		A-H	
	*Label, "Module Number M7625-BA"	36-26883-71		J-R	
	*Label, "Module Number M9060-YA"	36-26883-17			
	*Label, "Postcard FTZ"	36-30422-18		BDFH KMPR	
	*Label, "Warning Equipment Rating 100-120V"	36-17905-16		ACEG JLNQ	
	*Label, "Warning Equipment Rating 220-240V"	36-17905-17		BDFH KMPR	
	*Label, "Serial/Model, 100V Made in USA"	36-27329-01		ACEG JLNQ	
	*Label, "Serial/Model 100V Made in UK"	36-27329-02		ACEG JLNQ	
	*Label, "Serial/Model 220V Made in USA"	36-27329-03		BDFH KMPR	
	*Label, "Serial/Model 220V Made in UK"	36-27329-04		BDFH KMPR	
	*Label, "Pedestal, USA, 100V"	36-27838-01		CL	
	*Label, "Pedestal, UK, 100V"	36-27838-03		CL	
	*Label, "Pedestal, USA, 220V"	36-27838-04		DM	
	*Label, "Pedestal, UK, 220V"	36-27838-02		DM	
	*Label, "Caution S-Box Shipping"	36-27924-01			
	*Label, "MicroVAX 3800"	36-27354-20		AB E-H	
	*Label, "VAXserver 3800"	36-27354-21		JK N-R	
	*Label, rtVAX 3800"	36-27354-24		N-R	
	*Label, "Bar Code"	36-18460-06			
	*Label, "BA2XX Rev"	36-29163-07			

8

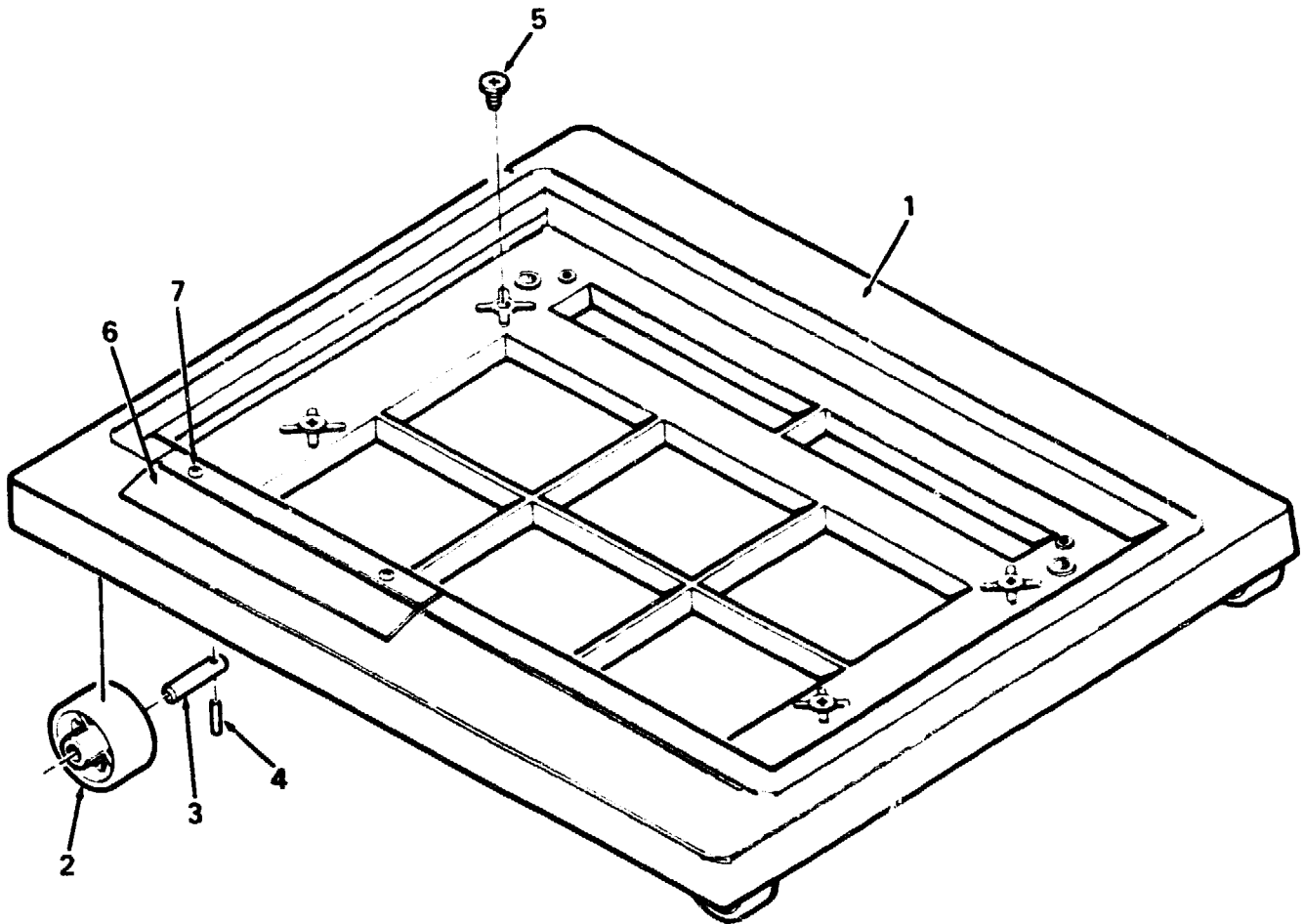


655QS-02

Figure 2. Bulkhead Assembly, H3600 Module

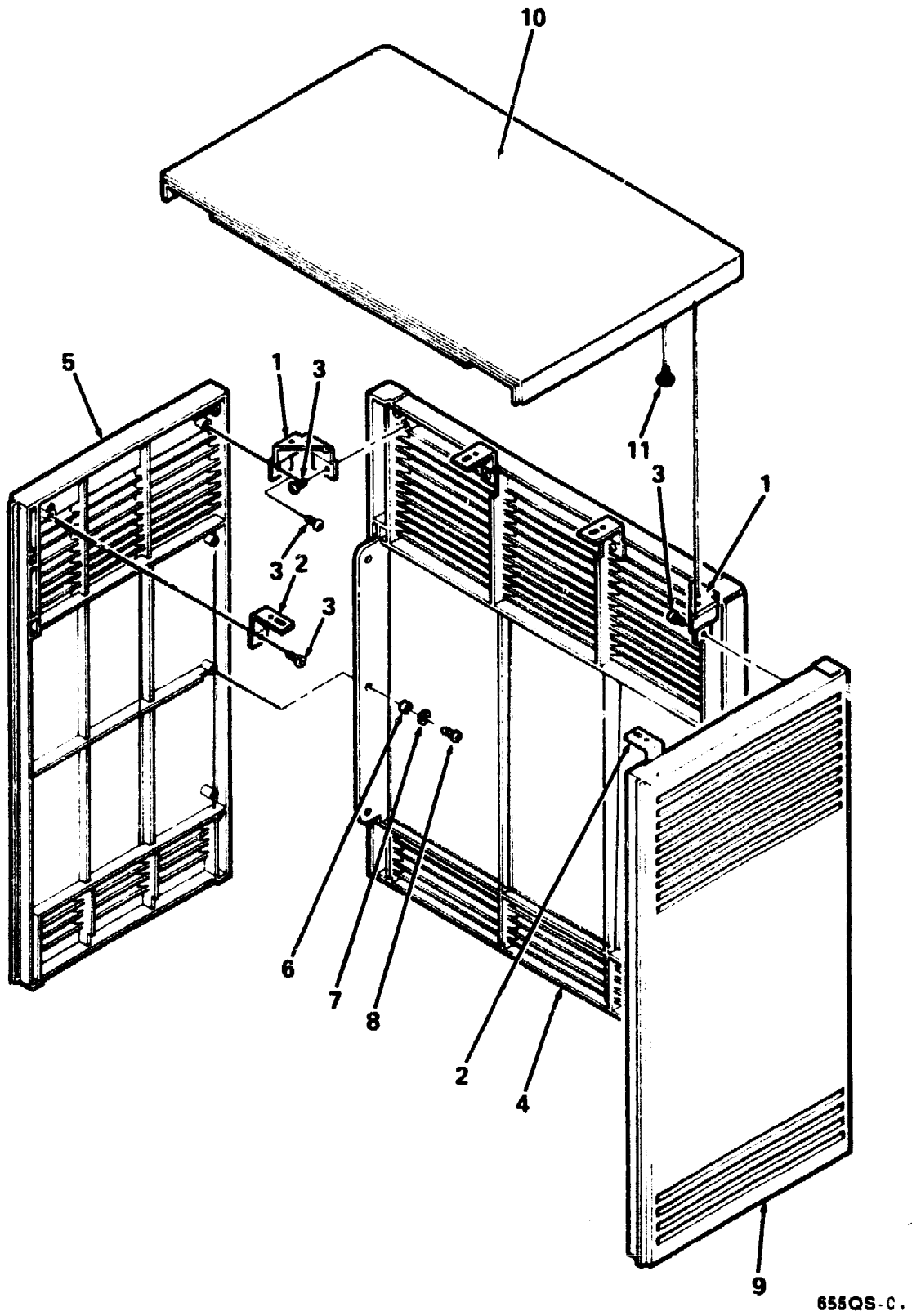
FIG. & ITEM NO.	DESCRIPTION	B DEC PART NO.	ECO CUT-IN 70-23986 00001	USED ON CODE	REF FIG NO.
2-	BULKHEAD ASSEMBLY. H3600 MODULE	70-23988-01			1
1	*Bulkhead Assembly, Front Dual	70-23982-03			
2	*Module, SLU Console	54-17016-01			
3	*Screw, Sems Phi Pan Hd No. 6-32 x 5/16	90-09984-07			
4	*Holder, Battery Pack	74-33477-01			
5	*Battery, 3 Cell	12-19245-J1			
6	*Nut, Kep No. 4-40	90-06557-00			
7	*Screw, Sems Phi Pan Hd No. 4-40 x 3/8	90-09643-00			
8	*Tape, Foam	90-08228-00			
9	*Screw, Self Tap Truss Hd No. 6-32 x 5/16	90-00063-00			
	LABELS (Not Shown)				
	*Label, "Baud Select"	36-26584-01			
	*Label, "Blank, Paper, Pin Feed"	36-23593-01			
	*Label, "International"	36-20560-54			

FIG. & ITEM NO.	DESCRIPTION	DEC PART NO.	ECO CUT-IN 70-24048 00001	USED ON CODE	REF FIG NO.
3-	BASE ASSEMBLY	70-24048-01		CDLM	1
1	*Base, Lower	74-33850-01			
2	*Wheel, Base	74-34068-01			
3	*Shaft, Wheel	74-34069-01			
4	*Pin, Roll	90-09385-00			
5	*Screw, Thread Rolling Shoulder	12-26868-01			
6	*Support, Label	74-34848-01			
7	*Screw, Phi Pan Hd Self Tap No. 6-19 x 3/4	90-09800-08			



655QS-03

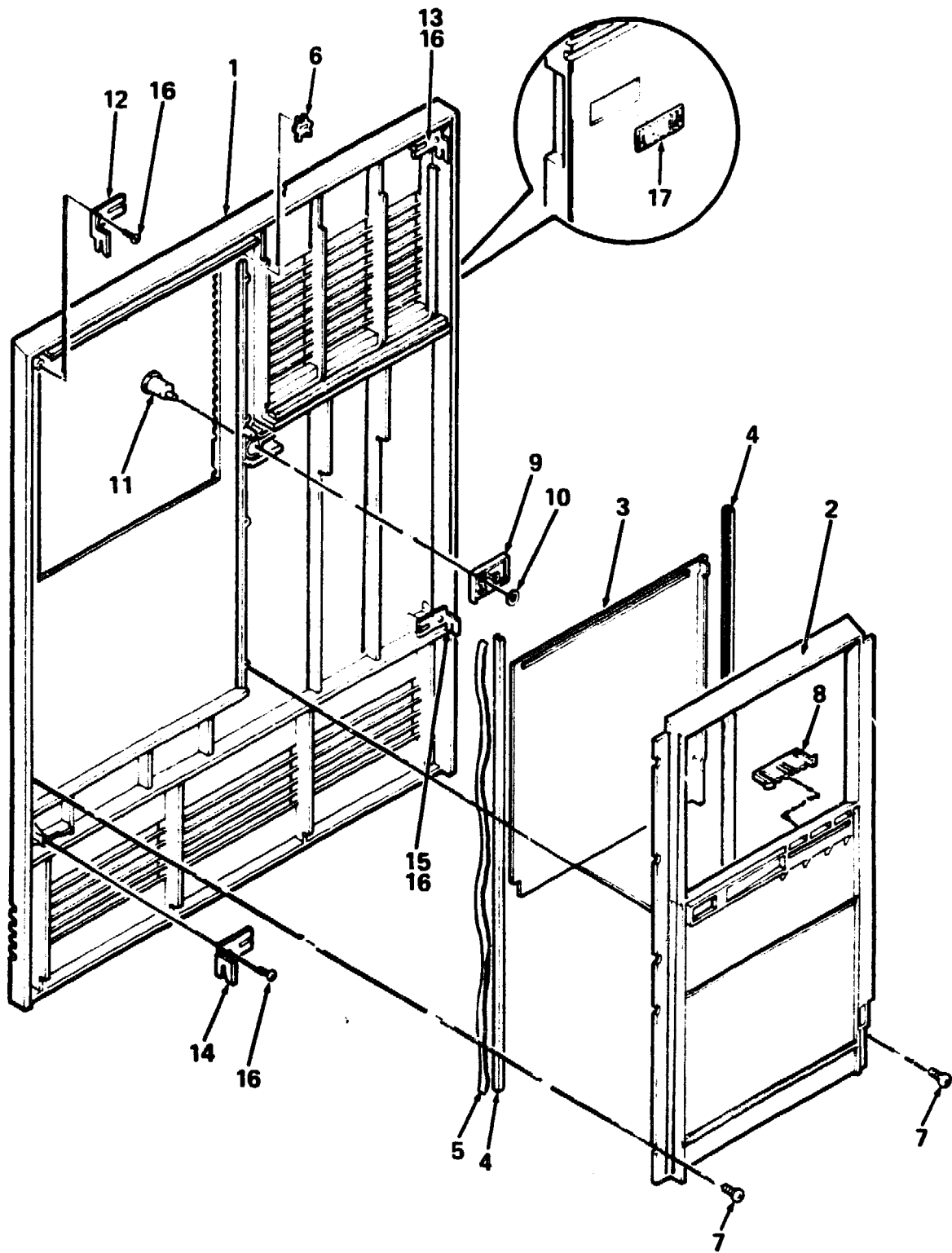
Figure 3. Base Assembly



655QS-C.

Figure 4. Enclosure Assembly. Shell

FIG. & ITEM NO.	DESCRIPTION	DEC PART NO. ^B	ECO CUT-IN 70-24037 00001	USED ON CODE	REF FIG NO.
4-	ENCLOSURE ASSEMBLY, SHELL	70-24037-01		CDLM	1
1	*Bracket, Corner	74-34126-01			
2	*Bracket, Side	74-34125-01			
3	*Screw, Self Tap Phi Pan Hd No. 8-16 x 3/4	90-09800-04			
4	*Panel, Rear	74-33651-01			
5	*Panel, Left Side	74-33694-01			
6	*Sleeve	74-34424-01			
7	*Washer, Flat	90-06661-00			
8	*Screw, Self Tap Phi Hd No. 8-16 x 1/2	90-09800-08			
9	*Panel, Right Side	74-33647-01			
10	*Cover, Top	74-33646-01			
11	*Screw, Thread Rolling Shoulder	12-26868-01			



655QS-05

Figure 5. Panel Assembly. Front

FIG. & ITEM NO.	DESCRIPTION	A DEC PART NO.	ECO CUT-IN 70-24041 00000	USED ON CODE	REF FIG NO.
5-	PANEL ASSEMBLY, FRONT	70-24041-01		CDLM	1
1	*Panel, Front	74-33648-01			
2	*Bezel, Switch	74-34067-01			
3	*Door	74-34061-01			
4	*Channel (Front Panel)	74-34062-01			
5	*Spring, Channel	74-34066-01			
6	*Stop, Door Position	74-34363-01			
7	*Screw, Phi Pan Hd No. 6-19 x 3/8	90-09800-06			
8	*Latch, Pull	74-34064-01			
9	*Latch, Slide	74-34065-01			
10	*Ring, Retainer	90-09257-05			
11	*Tumbler	74-34063-01			
12	*Bracket, Top Right Hand	74-34123-01			
13	*Bracket, Top Left Hand	74-34123-02			
14	*Bracket, Bottom Right Hand	74-34124-01			
15	*Bracket, Bottom Left Hand	74-34124-02			
16	*Screw, Self Tap Phi Pan Hd No. 8-16 x 1/4	90-09800-04			
17	*Logo	74-34426-01			

Ω

PART NUMBER/DESCRIPTION SORT



655QS PEDESTAL SYSTEM SORT BY DEC PART NUMBER

PART NO.	DESCRIPTION	FIG NO.	ITEM NO.
12-17119-01	Key, Plastic	1	Not Shown
12-19245-01	Battery, 3 Cell	2	5
12-23599-01	Connector, Adaptor	1	Not Shown
12-23599-05	Connector, Adaptor	1	Not Shown
12-26868-01	Screw, Thread Rolling Shoulder	4	11
12-26868-01	Screw, Thread Rolling Shoulder	3	5
17-00083-43	Power Cord	1	10
17-00811-02	Cable Assembly	1	Not Shown
17-01362-01	Harness Assembly	1	26
17-01364-02	Cable Assembly	1	Not Shown
17-01898-01	Cable Assembly, 50 Cond Flat	1	19
17-01898-02	Cable Assembly, 50 Cond Flat	1	19
17-01898-03	Cable Assembly, 50 Cond Flat	1	19
36-17905-16	Label, "Warning Equipment Rating 100-120V"	1	Not Shown
36-17905-17	Label, "Warning Equipment Rating 220-240V"	1	Not Shown
36-18460-06	Label, "Bar Code"	1	Not Shown
36-20560-54	Label, "International"	2	Not Shown
36-23593-01	Label, "Blank, Paper, Pin Feed"	2	Not Shown
36-26584-01	Label, "Baud Select"	2	Not Shown
36-26883-17	Label, "Module Number M9060-YA"	1	Not Shown
36-26883-43	Label, "Module Number M7622-A"	1	Not Shown
36-26883-70	Label, "Module Number M7625-AA"	1	Not Shown
36-26883-71	Label, "Module Number M7625-BA"	1	Not Shown
36-27329-01	Label, "Serial/Model, 100V Made in USA"	1	Not Shown
36-27329-02	Label, "Serial/Model, 100V Made in UK"	1	Not Shown
36-27329-03	Label, "Serial/Model, 220V Made in USA"	1	Not Shown
36-27329-04	Label, "Serial/Model, 220V Made in UK"	1	Not Shown
36-27354-20	Label, "MicroVAX 3800"	1	Not Shown
36-27354-21	Label, "VAXserver 3800"	1	Not Shown
36-27354-24	Label, "rtVAX 3800"	1	Not Shown
36-27838-01	Label, "Pedestal, USA, 100V"	1	Not Shown
36-27838-02	Label, "Pedestal, UK, 220V"	1	Not Shown
36-27838-03	Label, "Pedestal, UK, 100V"	1	Not Shown
36-27838-04	Label, "Pedestal, USA, 220V"	1	Not Shown
36-27923-01	Label, "S-Box, Module Utilization"	1	Not Shown
36-27924-01	Label, "Caution S-Box Shipping"	1	Not Shown
36-29163-07	Label, "BA2XX Rev"	1	Not Shown
36-30422-18	Label, "Postcard FTZ"	1	Not Shown
47-00042-01	Screwdriver, Flat Blade	1	Not Shown
54-17016-01	Module, SLU Console	2	2
655QS-A2	Model 655QS-A2 120V Timeshare, w/16 Meg Memory (w/o Skins)	1	N/A
655QS-A3	Model 655QS-A3 240V Timeshare, w/16 Meg Memory (w/o Skins)	1	N/A
655QS-B2	Model 655QS-B2 120V Timeshare, w/16 Meg Memory (w/Skins)	1	N/A
655QS-B3	Model 655QS-B3 240V Timeshare, w/16 Meg Memory (w/Skins)	1	N/A

655QS PEDESTAL SYSTEM SORT BY DEC PART NUMBER

PART NO.	DESCRIPTION	FIG NO.	ITEM NO.
655QS-C2	Model 655QS-C2 120V Timeshare, w/16 Meg Memory (w/o Skins, Rack Kit)	1	N/A
655QS-C3	Model 655QS-C3 240V Timeshare, w/16 Meg Memory (w/o Skins, Rack Kit)	1	N/A
655QS-D2	Model 655QS-D2 120V Timeshare, w/16 Meg Memory (w/o Skins, Wall Kit)	1	N/A
655QS-D3	Model 655QS-D3 240V Timeshare, w/16 Meg Memory (w/o Skins, Wall Kit)	1	N/A
655QS-E2	Model 655QS-E2 120V Server w/16 Meg Memory (w/o Skins)	1	N/A
655QS-E3	Model 655QS-E3 240V Server w/16 Meg Memory (w/o Skins)	1	N/A
655QS-F2	Model 655QS-F2 120V Server w/16 Meg Memory (w/Skins)	1	N/A
655QS-F3	Model 655QS-F3 240V Server w/16 Meg Memory (w/Skins)	1	N/A
655QS-H2	Model 655QS-H2 120V Server w/16 Meg Memory (w/o Skins, Rack Kit)	1	N/A
655QS-H3	Model 655QS-H3 240V Server w/16 Meg Memory (w/o Skins, Rack Kit)	1	N/A
655QS-J2	Model 655QS-J2 120V Server w/16 Meg Memory (w/o Skins, Wall Kit)	1	N/A
655QS-J3	Model 655QS-J3 240V Server w/16 Meg Memory (w/o Skins, Wall Kit)	1	N/A
70-23981-01	Bulkhead Assembly, Front	1	8
70-23982-02	Bulkhead Assembly, Front Dual	1	7
70-23982-03	Bulkhead Assembly, Front Dual	2	1
70-23988-01	BULKHEAD ASSEMBLY, H3600 MODULE	2	N/A
70-23988-01	BULKHEAD ASSEMBLY, H3600 MODULE	1	2
70-23995-04	Panel Assembly, Front	1	22
70-24037-01	ENCLOSURE ASSEMBLY, SHELL	4	N/A
70-24037-01	ENCLOSURE ASSEMBLY, SHELL	1	16
70-24041-01	PANEL ASSEMBLY, FRONT	1	17
70-24041-01	PANEL ASSEMBLY, FRONT	5	N/A
70-24046-01	BASE ASSEMBLY	1	11
70-24046-01	BASE ASSEMBLY	3	N/A
70-24071-01	Panel Assembly, Gap Filler	1	9
70-24227-03	BA213 UNIT ASSEMBLY 120V (2 P.S.)	1	1
70-24227-04	BA213 UNIT ASSEMBLY 240V (2 P.S.)	1	1
70-24263-01	Hardware, Wall Mount	1	Not Shown
70-24263-02	Hardware, Rack Mount	1	Not Shown
70-24316-01	BIZ ACCESSORIES KIT (w/o Skins)	1	Not Shown
70-24316-02	BIZ ACCESSORIES KIT (w/Skins)	1	Not Shown
70-24316-03	BIZ ACCESSORIES KIT (w/o Skins)	1	Not Shown
70-24316-04	BIZ ACCESSORIES KIT (w/o Skins)	1	Not Shown
70-25452-03	Mount Assembly, Top Shock	1	25
70-25452-04	Mount Assembly, Bottom Shock	1	24

655QS PEDESTAL SYSTEM SORT BY DEC PART NUMBER

PART NO.	DESCRIPTION	FIG NO.	ITEM NO.
74-33477-01	Holder, Battery Pack	2	4
74-33646-01	Cover, Top	4	10
74-33647-01	Panel, Right Side	4	9
74-33648-01	Panel, Front	5	1
74-33650-01	Base, Lower	3	1
74-33651-01	Panel, Rear	4	4
74-33694-01	Panel, Left Side	4	5
74-33854-01	Fastener, 1/4 Turn	1	15
74-34061-01	Door	5	3
74-34062-01	Channel (Front Panel)	5	4
74-34063-01	Tumbler	5	11
74-34064-01	Latch, Pull	5	8
74-34065-01	Latch, Slide	5	9
74-34066-01	Spring, Channel	5	5
74-34067-01	Bezel, Switch	5	2
74-34068-01	Wheel, Base	3	2
74-34069-01	Shaft, Wheel	3	3
74-34123-01	Bracket, Top Right	5	12
74-34123-02	Bracket, Top Left	5	13
74-34124-01	Bracket, Bottom Right	5	14
74-34124-02	Bracket, Bottom Left	5	15
74-34125-01	Bracket, Side	4	2
74-34126-01	Bracket, Corner	4	1
74-34363-01	Stop, Door Position	5	6
74-34424-01	Sleeve	4	6
74-34425-23	Nameplate, rtVAX 3800	1	20
74-34425-26	Nameplate, MicroVAX 3800	1	20
74-34425-27	Nameplate, VAXserver 3800	1	20
74-34426-01	Logo	5	17
74-34432-01	Bracket, Wall Mount	1	Not Shown
74-34638-01	Support, Mounting	1	Not Shown
74-34846-01	Support, Label	3	6
74-35417-01	Frame, Switch	1	5
74-36425-01	Panel, 5-1/4" Tape Drive Filler	1	23
90-00063-00	Screw, Self-Tap Truss Hd No. 6-32 x 5/16	2	9
90-06557-00	Nut, Kep No. 4-40	2	6
90-06661-00	Washer, Flat	4	7
90-06661-00	Washer, Flat	1	13
90-07064-00	Plug, Button	1	6
90-07786-00	U-Nut, Retainer	1	Not Shown
90-08228-00	Tape, Foam	2	8
90-09228-10	Screw, Sems Phi Pan Hd No. 10-32 x 3/8	1	Not Shown
90-09257-05	Ring, Retainer	5	10
90-09282-00	Screw, Sems Phi Pan Hd No. 10-32 x 15/16	1	14
90-09385-00	Pin, Roll	3	4
90-09643-00	Screw, Sems Phi Pan Hd No. 4-40 x 3/8	2	7
90-09700-00	Screw, Sems Phi Pan Hd No. 10-32 x 1/2	1	Not Shown
90-09800-04	Screw, Self-Tap Phi Pan Hd No. 8-16 x 1/4	5	16
90-09800-04	Screw, Self-Tap Phi Pan Hd No. 8-16 x 3/4	4	3

655QS PEDESTAL SYSTEM SORT BY DEC PART NUMBER

PART NO.	DESCRIPTION	FIG NO.	ITEM NO.
90-09800-06	Screw, Phi Pan Hd Self-Tap No. 6-19 x 3/4	3	7
90-09800-06	Screw, Phi Pan Hd No. 6-19 x 3/8	5	7
90-09800-08	Screw, Self-Tap Phi Hd No. 8-16 x 1/2	4	8
90-09800-08	Screw, Self-Tap Phi Pan Hd No. 6 x 1/2	1	12
90-09984-07	Screw, Sems Phi Pan Hd No. 6-32 x 5/16	2	3
BA213-RA	RACK MOUNT KIT, BA213 LARGE S-BOX	1	Not Shown
BA213-WA	WALL MOUNT KIT, BA213 LARGE S-BOX	1	Not Shown
EK-213RA-IN	Guide, Rack Mount Installation	1	Not Shown
EK-213WA-IN	Guide, Wall Mount Installation	1	Not Shown
M7625-AA	Module, CVAX CPU (Timeshare)	1	3
M7625-BA	Module, CVAX CPU (Server)	1	4
M9060-YA	Module, Load	1	21
MS650-BA	Module, 16 Meg. RAM Memory	1	18
N/A	655QS PEDESTAL SYSTEM	1	N/A

655QS PEDESTAL SYSTEM SORT BY DEC PART DESCRIPTION

DESCRIPTION	DEC PART NO.	FIG. NO.	ITEM
655QS PEDESTAL SYSTEM	N/A	1	N/A
BA213 UNIT ASSEMBLY 120V (2 P.S.)	70-24227-03	1	1
BA213 UNIT ASSEMBLY 240V (2 P.S.)	70-24227-04	1	1
BASE ASSEMBLY	70-24046-01	1	11
BASE ASSEMBLY	70-24046-01	3	N/A
Base, Lower	74-33650-01	3	1
Battery, 3 Cell	12-19245-01	2	5
Bezel, Switch	74-34067-01	5	2
BIZ ACCESSORIES KIT (w/o Skins)	70-24316-03	1	Not Shown
BIZ ACCESSORIES KIT (w/o Skins)	70-24316-04	1	Not Shown
BIZ ACCESSORIES KIT (w/o Skins)	70-24316-01	1	Not Shown
BIZ ACCESSORIES KIT (w/Skins)	70-24316-02	1	Not Shown
Bracket, Bottom Left	74-34124-02	5	15
Bracket, Bottom Right	74-34124-01	5	14
Bracket, Corner	74-34126-01	4	1
Bracket, Side	74-34125-01	4	2
Bracket, Top Left	74-34123-02	5	13
Bracket, Top Right	74-34123-01	5	12
Bracket, Wall Mount	74-34432-01	1	Not Shown
Bulkhead Assembly, Front	70-23981-01	1	8
Bulkhead Assembly, Front Dual	70-23982-03	2	1
Bulkhead Assembly, Front Dual	70-23982-02	1	7
BULKHEAD ASSEMBLY, H3600 MODULE	70-23988-01	2	N/A
BULKHEAD ASSEMBLY, H3600 MODULE	70-23988-01	1	2
Cable Assembly	17-01364-02	1	Not Shown
Cable Assembly	17-00811-02	1	Not Shown
Cable Assembly, 50 Cond Flat	17-01898-02	1	19
Cable Assembly, 50 Cond Flat	17-01898-03	1	19
Cable Assembly, 50 Cond Flat	17-01898-01	1	19
Channel (Front Panel)	74-34062-01	5	4
Connector, Adaptor	12-23599-05	1	Not Shown
Connector, Adaptor	12-23599-01	1	Not Shown
Cover, Top	74-33646-01	4	10
Door	74-34061-01	5	3
ENCLOSURE ASSEMBLY, SHELL	70-24037-01	1	16
ENCLOSURE ASSEMBLY, SHELL	70-24037-01	4	N/A
Fastener, 1/4 Turn	74-33854-01	1	15
Frame, Switch	74-33417-01	1	5
Guide, Rack Mount Installation	EK-213RA-IN	1	Not Shown
Guide, Wall Mount Installation	EK-213WA-IN	1	Not Shown
Hardware, Rack Mount	70-24263-02	1	Not Shown
Hardware, Wall Mount	70-24263-01	1	Not Shown
Harness Assembly	17-01362-01	1	26
Holder, Battery Pack	74-33477-01	2	4
Key, Plastic	12-17119-01	1	Not Shown

655QS PEDESTAL SYSTEM SORT BY DEC PART DESCRIPTION

DESCRIPTION	DEC PART NO.	FIG. NO.	ITEM
Label, "BA2XX Rev"	36-29163-07	1	Not Shown
Label, "Bar Code"	36-18460-06	1	Not Shown
Label, "Baud Select"	36-26584-01	2	Not Shown
Label, "Blank, Paper, Pin Feed"	36-23593-01	2	Not Shown
Label, "Caution S-Box Shipping"	36-27924-01	1	Not Shown
Label, "International"	36-20560-54	2	Not Shown
Label, "MicroVAX 3800"	36-27354-20	1	Not Shown
Label, "Module Number M7622-A"	36-26883-43	1	Not Shown
Label, "Module Number M7625-AA"	36-26883-70	1	Not Shown
Label, "Module Number M7625-BA"	36-26883-71	1	Not Shown
Label, "Module Number M9060-YA"	36-26883-17	1	Not Shown
Label, "Pedestal, UK, 100V"	36-27838-03	1	Not Shown
Label, "Pedestal, UK, 220V"	36-27838-02	1	Not Shown
Label, "Pedestal, USA, 100V"	36-27838-01	1	Not Shown
Label, "Pedestal, USA, 220V"	36-27838-04	1	Not Shown
Label, "Postcard FTZ"	36-30422-18	1	Not Shown
Label, "rtVAX 3800"	36-27354-24	1	Not Shown
Label, "S-Box, Module Utilization"	36-27923-01	1	Not Shown
Label, "Serial/Model, 100V Made in UK"	36-27329-02	1	Not Shown
Label, "Serial/Model, 100V Made in USA"	36-27329-01	1	Not Shown
Label, "Serial/Model, 220V Made in UK"	36-27329-04	1	Not Shown
Label, "Serial/Model, 220V Made in USA"	36-27329-03	1	Not Shown
Label, "VAXserver 3800"	36-27354-21	1	Not Shown
Label, "Warning Equipment Rating 100-120V"	36-17905-16	1	Not Shown
Label, "Warning Equipment Rating 220-240V"	36-17905-17	1	Not Shown
Latch, Pull	74-34064-01	5	8
Latch, Slide	74-34065-01	5	9
Logo	74-34426-01	5	17
Model 655QS-A2 120V Timeshare, w/16 Meg Memory (w/o Skins)	655QS-A2	1	N/A
Model 655QS-A3 240V Timeshare, w/16 Meg Memory (w/o Skins)	655QS-A3	1	N/A
Model 655QS-B2 120V Timeshare, w/16 Meg Memory (w/Skins)	655QS-B2	1	N/A
Model 655QS-B3 240V Timeshare, w/16 Meg Memory (w/Skins)	655QS-B3	1	N/A
Model 655QS-C2 120V Timeshare, w/16 Meg Memory (w/o Skins, Rack Kit)	655QS-C2	1	N/A
Model 655QS-C3 240V Timeshare, w/16 Meg Memory (w/o Skins, Rack Kit)	655QS-C3	1	N/A
Model 655QS-D2 120V Timeshare, w/16 Meg Memory (w/o Skins, Wall Kit)	655QS-D2	1	N/A
Model 655QS-D3 240V Timeshare, w/16 Meg Memory (w/o Skins, Wall Kit)	655QS-D3	1	N/A
Model 655QS-E2 120V Server w/16 Meg Memory (w/o Skins)	655QS-E2	1	N/A
Model 655QS-E3 240V Server w/16 Meg Memory (w/o Skins)	655QS-E3	1	N/A
Model 655QS-F2 120V Server w/16 Meg Memory (w/Skins)	655QS-F2	1	N/A
Model 655QS-F3 240V Server w/16 Meg Memory (w/Skins)	655QS-F3	1	N/A

655QS PEDESTAL SYSTEM SORT BY DEC PART DESCRIPTION

DESCRIPTION	DEC PART NO.	FIG. NO.	ITEM
Model 655QS-H2 120V Server w/16 Meg Memory (w/o Skins, Rack Kit)	655QS-H2	1	N/A
Model 655QS-H3 240V Server w/16 Meg Memory (w/o Skins, Rack Kit)	655QS-H3	1	N/A
Model 655QS-J2 120V Server w/16 Meg Memory (w/o Skins, Wall Kit)	655QS-J2	1	N/A
Model 655QS-J3 240V Server w/16 Meg Memory (w/o Skins, Wall Kit)	655QS-J3	1	N/A
Module, 16 Meg. RAM Memory	MS650-BA	1	18
Module, CVAX CPU (Server)	M7625-BA	1	4
Module, CVAX CPU (Timeshare)	M7625-AA	1	3
Module, Load	M9060-YA	1	21
Module, SLU Console	54-17016-01	2	2
Mount Assembly, Bottom Shock	70-25452-04	1	24
Mount Assembly, Top Shock	70-25452-03	1	25
Nameplate, MicroVAX 3800	74-34425-26	1	20
Nameplate, rtVAX 3800	74-34425-23	1	20
Nameplate, VAXserver 3800	74-34425-27	1	20
Nut, Kep No. 4-40	90-06557-00	2	6
Panel Assembly, Front	70-23995-04	1	22
PANEL ASSEMBLY, FRONT	70-24041-01	1	17
PANEL ASSEMBLY, FRONT	70-24041-01	5	N/A
Panel Assembly, Gap Filler	70-24071-01	1	9
Panel, 5-1/4" Tape Drive Filler	74-36425-01	1	23
Panel, Front	74-33648-01	5	1
Panel, Left Side	74-33694-01	4	5
Panel, Rear	74-33651-01	4	4
Panel, Right Side	74-33647-01	4	9
Pin, Roll	90-09385-00	3	4
Plug, Button	90-07064-00	1	6
Power Cord	17-00083-43	1	10
RACK MOUNT KIT. BA213 LARGE S-BOX	BA213-RA	1	Not Shown
Ring, Retainer	90-09257-05	5	10
Screw, Phi Pan Hd No. 6-19 x 3/8	90-09800-06	5	7
Screw, Phi Pan Hd Self-Tap No. 6-19 x 3/4	90-09800-06	3	7
Screw, Self-Tap Phi Hd No. 8-16 x 1/2	90-09800-08	4	8
Screw, Self-Tap Phi Pan Hd No. 6 x 1/2	90-09800-08	1	12
Screw, Self-Tap Phi Pan Hd No. 8-16 x 1/4	90-09800-04	5	16
Screw, Self-Tap Phi Pan Hd No. 8-16 x 3/4	90-09800-04	4	3
Screw, Self-Tap Truss Hd No. 6-32 x 5/16	90-00063-00	2	9
Screw, Sems Phi Pan Hd No. 10-32 x 1/2	90-09700-00	1	Not Shown
Screw, Sems Phi Pan Hd No. 10-32 x 15/16	90-09282-00	1	14
Screw, Sems Phi Pan Hd No. 10-32 x 3/8	90-09228-10	1	Not Shown
Screw, Sems Phi Pan Hd No. 4-40 x 3/8	90-09643-00	2	7
Screw, Sems Phi Pan Hd No. 6-32 x 5/16	90-09984-07	2	3
Screw, Thread Rolling Shoulder	12-26868-01	3	5
Screw, Thread Rolling Shoulder	12-26868-01	4	11

655QS PEDESTAL SYSTEM SORT BY DEC PART DESCRIPTION

DESCRIPTION	DEC PART NO.	FIG. NO.	ITEM
Screwdriver, Flat Blade	47-00042-01	1	Not Shown
Shaft, Wheel	74-34069-01	3	3
Sleeve	74-34424-01	4	6
Spring, Channel	74-34066-01	5	5
Stop, Door Position	74-34363-01	5	6
Support, Label	74-34846-01	3	6
Support, Mounting	74-34638-01	1	Not Shown
Tape, Foam	90-08228-00	2	8
Tumbler	74-34063-01	5	11
U-Nut, Retainer	90-07786-00	1	Not Shown
WALL MOUNT KIT, BA213 LARGE S-BOX	BA213-WA	1	Not Shown
Washer, Flat	90-06661-00	4	7
Washer, Flat	90-06661-00	1	13
Wheel, Base	74-34068-01	3	2