



# ILLUSTRATED PARTS BREAKDOWN

# BA215 ENCLOSURE

## HOW TO USE THE IPB

### GENERAL

This IPB is compiled following the organization and nomenclature of the engineering drawing structure.

### MAJOR ASSEMBLY LOCATOR (When Applicable)

The Major Assembly Locator (first illustration) is an index that provides a description and a figure reference for all illustrations used in this manual.

### INDENTED PARTS LIST

This manual identifies each assembly being broken down (figure reference callout), and all parts of that assembly. Further breakdown of an assembly is shown by an asterisk (\*) preceding the item callouts in the Description Column. The number of asterisks preceding an item is used to denote the subordination of that item with respect to the Major Assembly. A single asterisk preceding an item description indicates that the item is part of the major assembly being illustrated. Items that are subordinate to single asterisk items, are denoted by two asterisks (\*\*), and immediately follow the related single asterisk item. This system of part identification provides a means for the user to identify the next higher assembly item and make alternate selections for parts when the required replacement part of assembly is not immediately available.

### COLUMN CALLOUT DESCRIPTION

**Figure and Item** - Indicates the figure number and item number of each part.

**Description** - Lists the name of the part and pertinent specifications (when required). Asterisks preceding the description denote the subordination of the part to the next higher assembly.

**DEC Part No.** - Lists the Digital part ordering number. A blank in this column indicates a Digital part number was not assigned at the time of publication.

**ECO Cut-In** - The notation at the top of this column indicates the ECO level of the system (option), at which the IPB was initially prepared. Subsequent ECO level designations, that modify existing parts or add new parts to the device, are inserted in the ECO Cut-In column next to the part that is added or modified.

**Used On Code** - Letters in this column correspond to the variation codes assigned in Figure 1. Parts with an Alpha notation(s) are used only in those option variations. A blank indicates that the part is used on all option variations.

**Ref Fig No.** - A cross reference between illustrations. For each Major Assembly, the number in this column denotes the figure of the next higher assembly. For all subassemblies, the number in this column denotes the figure showing additional detailed breakdown.

**PART NUMBER/PART DESCRIPTION INDEX SECTION**  
Parts are indexed both numerically and alphabetically by description, referenced to a location within the IPB, by figure number and item number.

## REVISION HISTORY

### OTHER IPB MANUALS REFERENCED

PRINTING	ECO LEVEL		DATE	OTHER IPB MANUALS REFERENCED
2nd Printing	70-25451	00000-00000	10-AUG-90	N/A
	70-25446	00000-00000		
	H7868	00003-00006		
	70-25454	00000-00001		
	70-25447	00000-00002		

Digital Equipment Corporation reserves the right, without notice, to make substitutions and modifications in the specifications of products documented in this manual and further reserves the right to withdraw any of these products from the market without notice.

Digital Equipment Corporation is not responsible for errors which may appear in the technical description (including illustrations and photographs) of the products covered by this manual.

None of the descriptions contained in this manual imply the granting of any license whatsoever to make, use or sell equipment constructed in accordance therewith.

Restricted Rights: Use, duplication or disclosure by the U.S. Government is subject to restrictions as set forth in subparagraph (c) (1) (ii) of the Rights in Technical Data and Computer Software clause at DFARS 252.227-2713.

Copyright © 1989, 1990 by Digital Equipment Corporation. All rights reserved.

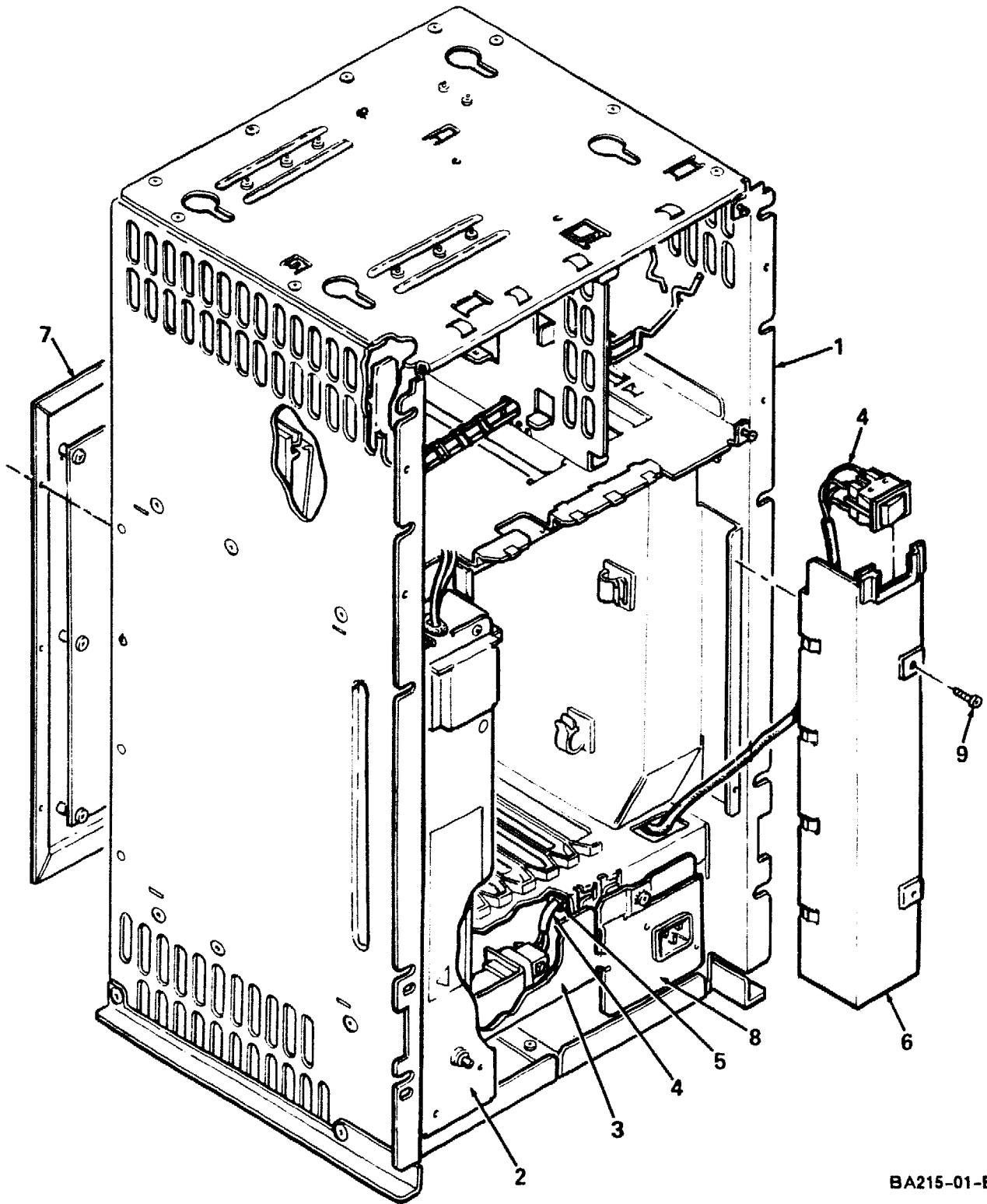
The postage-paid READER'S COMMENTS form on the last page of this document requests your critical evaluation to assist us in preparing future documentation.

The following are trademarks of Digital Equipment Corporation :

---

**digital**<sup>™</sup>

DEC  
DECUS  
PDP  
UNIBUS  
VAX



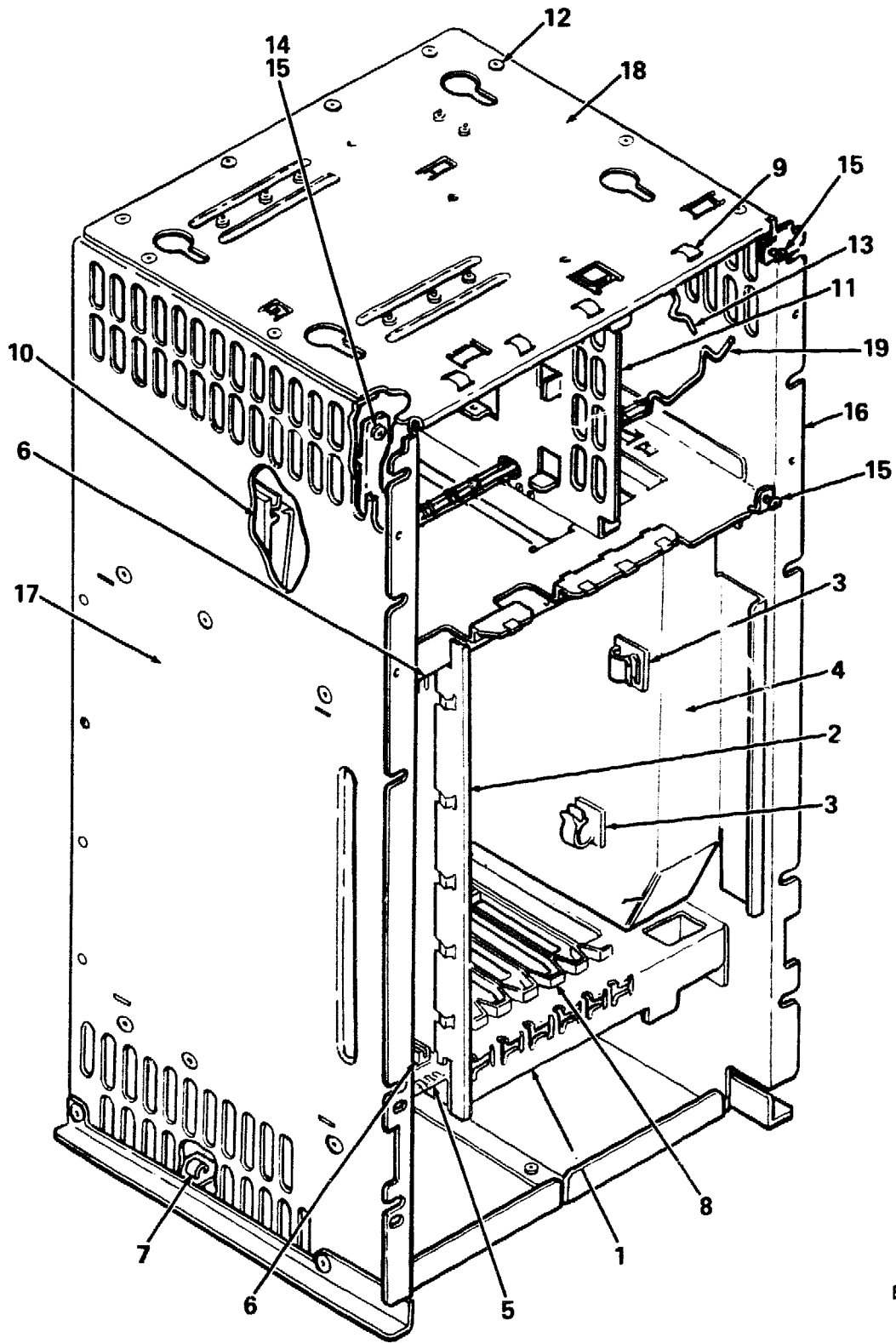
BA215-01-BD

**Figure 1. Chassis Assembly, BA215**

PARTS LIST



FIG. & ITEM NO.	DESCRIPTION	DEC PART NO.	A ECO CUT-IN 70-25451 00000	USED ON CODE	REF FIG NO.
1-	CHASSIS ASSEMBLY, BA215				
	Code A - Used on CHASSIS ASSEMBLY, BA215 1 PS (100/120V)	70-25451-01		A	
	Code B - Used on CHASSIS ASSEMBLY, BA215 1 PS (220/240V)	70-25451-02		B	
1	*FRAME ASSEMBLY, BA215	70-25446-01			2
2	*POWER SUPPLY ASSEMBLY, H7868 (100/120V)	H7868-A		A	3
	*POWER SUPPLY ASSEMBLY, H7868 (220/240V)	H7868-B		B	3
3	*FAN/TRAY ASSEMBLY	70-25454-01			4
4	*Harness Assembly, Wire	17-01938-01			
5	*Tie, Cable	90-07880-00			
6	*Switch Assembly, AC	70-25455-01			
7	*BACKPLANE ASSEMBLY	70-25447-01			5
8	*Panel Assembly, Access	70-25450-01			
9	*Screw, Sems Phi Pan Hd No. 6-32 x 1/4	90-10174-00			



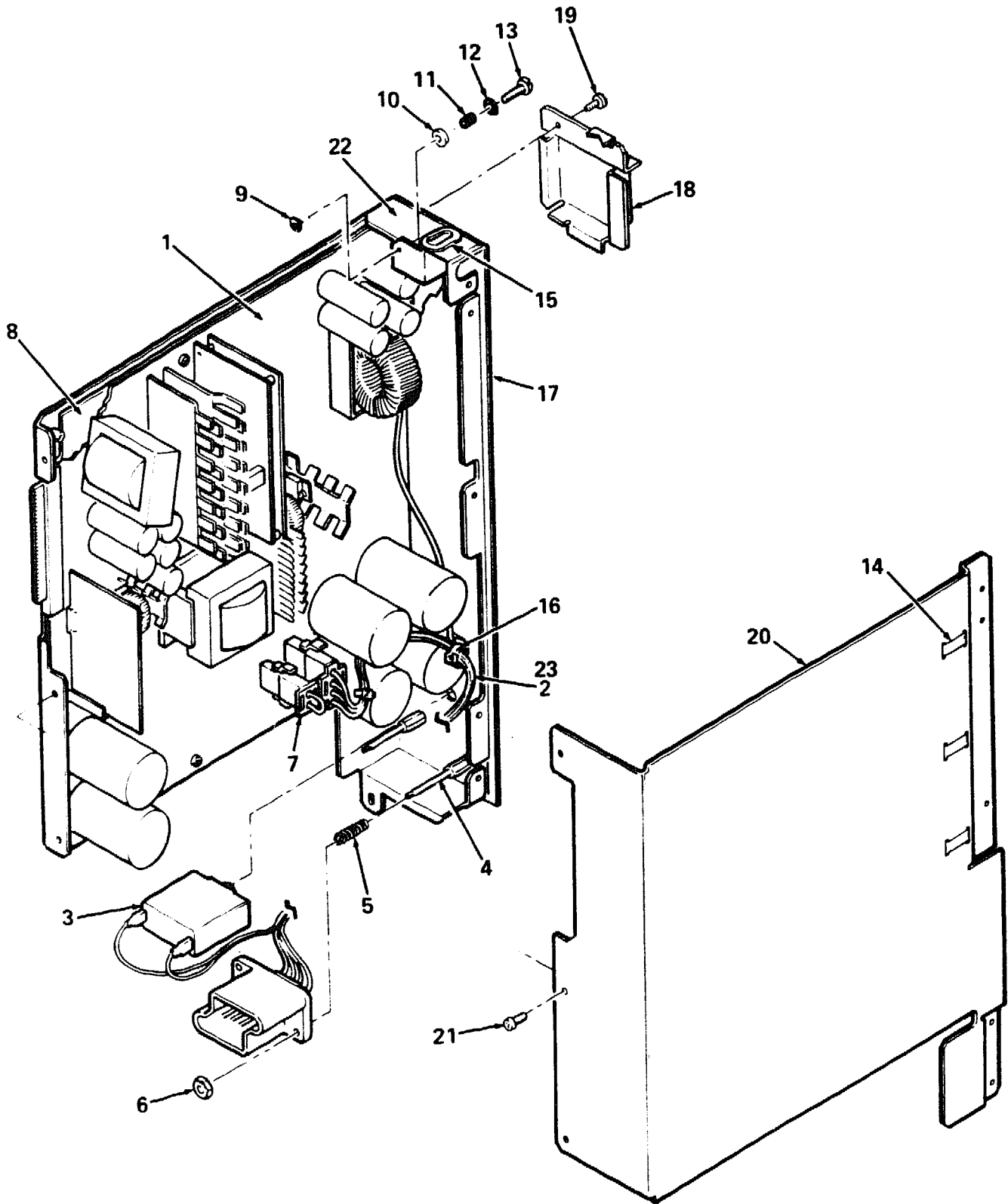
BA215-02-BD

**Figure 2. Frame Assembly, BA215**

PARTS LIST



FIG. & ITEM NO.	DESCRIPTION	DEC PART NO. <sup>A</sup>	ECO CUT-IN 70-25446 00000	USED ON CODE	REF FIG NO.
2-	FRAME ASSEMBLY, BA215	70-25446-01			1
1	*Card Cage, Bottom (Weldment)	70-25443-01			
2	*Filler, Gap	74-33971-01			
3	*Clip, 1/2 Inch Cable	12-18912-00			
4	*Baffle	74-36583-01			
5	*Grommet	12-25469-03			
6	*Guide, Card	12-26912-01			
7	*Clip, Adhesive Backed Cable	12-21249-01			
8	*Guide, 6 Slot Card	74-33564-01			
9	*Finger, Grounding	12-26922-01			
10	*Clip, Flat Cable	12-13715-00			
11	*Card Cage Assembly, Top	70-25771-01			
12	*Rivet, Blind	90-00030-40			
13	*Top Assembly (Weldment)(Shipping Bracket)	70-25445-01			
14	*Support, Connector	74-36517-01			
15	*Screw, Fillister Slotted Hd No. 6-32 x 5/16	12-27451-01			
16	*Panel, Right	74-36510-01			
17	*Panel, Left	74-36511-01			
18	*Cover, Top	74-36515-01			
19	*Shipping Bracket Assembly	70-25444-01			
	LABEL (Not Shown)				
	*Label, "Ground Symbol"	36-12680-04			



BA215-03-BD

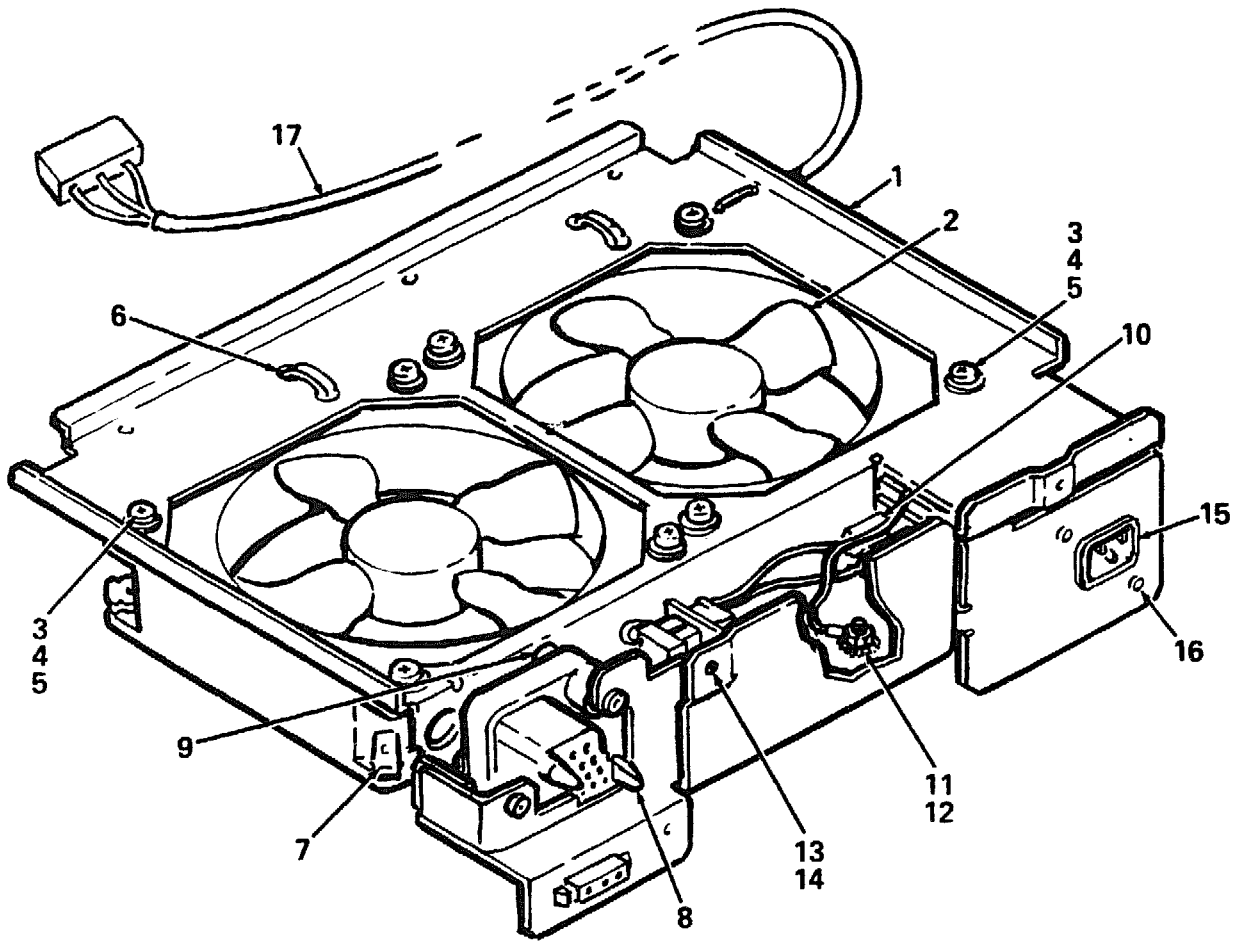
**Figure 3. Power Supply Assembly, H7868**

PARTS LIST





FIG. & ITEM NO.	DESCRIPTION	DEC PART NO.	H ECO CUT-IN H7868 00003	USED ON CODE	REF FIG NO.
3-	POWER SUPPLY ASSEMBLY, H7868 (100/120V)	H7868-A		A	1
	POWER SUPPLY ASSEMBLY, H7868 (220/240V)	H7868-B		B	1
1	*Module, Power Supply	54-16879-01			
2	*Harness Assembly, H7868	70-23366-01			
3	*Circuit Breaker	12-19912-06			
4	*Support, Spring	74-34431-01			
5	*Spring, Compression	12-27235-02			
6	*Nut, Kep No. 6-32	90-08055-00			
7	*Jumper Assembly, 2 Pin Mate-N-Lok (120V)	70-23770-01		A	
8	*Pad, Insulator	74-33418-01			
9	*Washer, Retaining (Replaces 12-27764-01)	12-30421-01	00004		
10	*Bushing, Captive Screw	12-27446-01			
11	*Spring, Compression	12-27445-01			
12	*Washer, External Tooth Lock No. 6	90-07649-00			
13	*Screw, Phi Shoulder Hd No. 6-32 x 1/2	12-27772-01			
14	*Finger, Grounding	12-26922-01			
15	*Grommet, Round Rubber (deleted)	90-07015-00	00004		
16	*Tie, Cable (deleted)	90-07031-00	00004		
17	*Enclosure, H7868 Power Supply	74-33416-02			
18	*Cover, Top Power Supply (Replaces 74-33976-02)	70-22808-01	00004		
	**Cover, Top Power Supply (added)	74-33976-02	00004		
	**Screw, Captive No. 6-32 (added)	12-30239-01	00004		
	**Washer, Retaining (added)	12-30421-01	00004		
19	*Screw, Sems Phi Pan Hd No. 4-40 x 3/8	90-09643-00			
20	*Cover, Power Supply	74-33417-01			
21	*Screw, Sems Phi Pan Hd No. 6-32 x 5/16	90-09984-07			
22	*Bracket, Power Supply (deleted)	74-36556-01	00004		
23	*Tubing, Shrink	12-30339-01			
	LABELS (Not Shown)				
	*Label, "Power Supply H7868-A"	36-26511-01		A	
	*Label, "Power Supply H7868-B"	36-26511-02		B	
	*Label, "H7868-A, ID"	36-27463-01		A	
	*Label, "H7868-B, ID"	36-27463-02		B	
	*Label, "Danger High Voltage"	36-10267-02			
	*Label, "BA2XX Rev, Rolled" (Replaces 36-28945-01)	36-29163-05	00004		



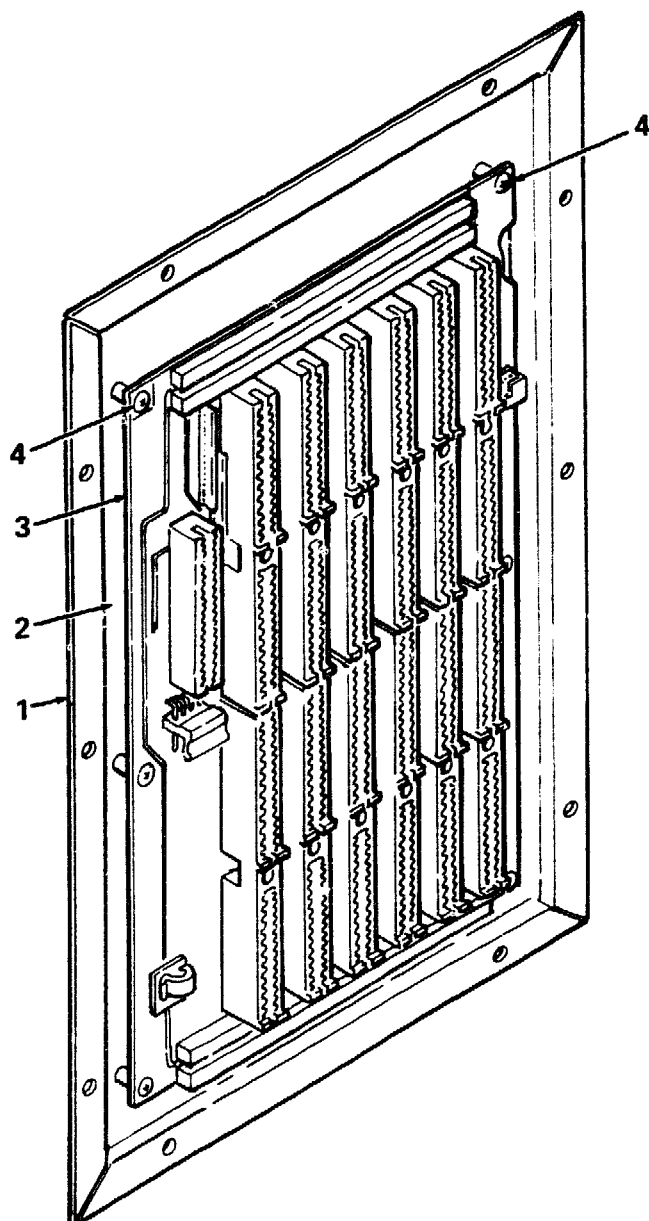
BA215-04-BD

**Figure 4. Fan Tray Assembly**

PARTS LIST

FIG.& ITEM NO.	DESCRIPTION	DEC PART NO.	B ECO CUT-IN 70-25454 00000	USED ON CODE	REF FIG NO.
4-	FAN/TRAY ASSEMBLY	70-25454-01			1
1	*Fan Tray (Weldment)	70-25449-01			
2	*Fan, Tube Axial 4-1/2 Inch	12-23609-04			
3	*Grommet, Round Rubber	90-07013-00			
4	*Washer, Flat	90-06659-00			
5	*Screw, Sems Phi Pan Hd No. 6-32 x 5/16	90-00049-57			
6	*Tie, Cable	90-07880-00			
7	*Clip, Fan Mounting	90-09165-00			
8	*Harness Assembly, Wire	17-01939-01			
9	*Screw, Shoulder No. 8-32	12-27034-01			
10	*Clip, Adhesive Backed Cable	12-21249-01			
11	*Washer, Flat	90-06664-00			
12	*Nut, Kep No. 10-32	90-06565-00			
13	*Screw, Sems Phi Pan Hd No. 6-32 x 3/8	90-00049-24			
14	*Washer, Retaining	12-30421-01			
15	*Filter, EMI Line	12-28736-01			
16	*Screw, Sems Phi Pan Hd No. 8-32 x 5/16	90-10174-01			
17	*Harness Assembly, Wire	17-01981-01			
	LABEL (Not Shown)				
	*Label, "Ground Symbol"	36-12680-00			
	*Label, "Ground Symbol w/Circle"	36-12680-02			

FIG. & ITEM NO.	DESCRIPTION	DEC PART NO.	ECO CUT-IN 70-25447 00000	USED ON CODE	REF FIG NO.
5-	BACKPLANE ASSEMBLY	70-25447-01			1
1	*Support, Backplane Panel	74-36508-01			
2	*Insulator, Backplane	74-36509-01			
3	*Backplane, BA215	54-17408-01			
4	*Screw, Self Tap Truss Hd No. 6 x 5/16	90-00063-78			
					Ω



BA215-05-BD

**Figure 5. Backplane Assembly**

# **PART NUMBER/DESCRIPTION INDEX**



**INDEX BY DEC PART NUMBER  
BA215 ENCLOSURE**

PART NO.	DESCRIPTION	FIG NO.	ITEM NO.
12-13715-00	Clip, Flat Cable	2	10
12-18912-00	Clip, 1/2 Inch Cable	2	3
12-19912-06	Circuit Breaker	3	3
12-21249-01	Clip, Adhesive Backed Cable	4	10
12-21249-01	Clip, Adhesive Backed Cable	2	7
12-23609-04	Fan, Tube Axial 4-1/2 Inch	4	2
12-25469-03	Grommet	2	5
12-26912-01	Guide, Card	2	6
12-26922-01	Finger, Grounding	3	14
12-26922-01	Finger, Grounding	2	9
12-27034-01	Screw, Shoulder No. 8-32	4	9
12-27235-02	Spring, Compression	3	5
12-27445-01	Spring, Compression	3	11
12-27446-01	Bushing, Captive Screw	2	10
12-27451-01	Screw, Fillister Slotted Hd No. 6-32 x 5/16	2	15
12-27772-01	Screw, Phi Shoulder Hd No. 6-32 x 1/2	3	13
12-28736-01	Filter, EMI Line	4	15
12-30239-01	Screw, Captive No. 6-32 (added)	3	18
12-30339-01	Tubing, Shrink	3	23
12-30421-01	Washer, Retaining (added)	3	18
12-30421-01	Washer, Retaining	4	14
12-30421-01	Washer, Retaining (Replaces 12-27764-01)	3	9
17-01938-01	Harness Assembly, Wire	1	4
17-01939-01	Harness Assembly, Wire	4	8
17-01981-01	Harness Assembly, Wire	4	17
36-10267-02	Label, "Danger High Voltage"	3	Not Shown
36-12680-00	Label, "Ground Symbol"	4	Not Shown
36-12680-02	Label, "Ground Symbol w/Circle"	4	Not Shown
36-12680-04	Label, "Ground Symbol"	2	Not Shown
36-26511-01	Label, "Power Supply H7868-A"	3	Not Shown
36-26511-02	Label, "Power Supply H7868-B"	3	Not Shown
36-27463-01	Label, "H7868-A, ID"	3	Not Shown
36-27463-02	Label, "H7868-B, ID"	3	Not Shown
36-29163-05	Label, "BA2XX Rev. Rolled" (Replaces 36-28945-01)	3	Not Shown
54-16879-01	Module, Power Supply	3	1
54-17408-01	Backplane, BA215	5	N/A
70-22808-01	Cover, Top Power Supply (Replaces 74-33976-02)	3	18
70-23366-01	Harness Assembly, H7868	3	2
70-23770-01	Jumper Assembly, 2 Pin Mate-N-Lok (120V)	3	7
70-25443-01	Card Cage, Bottom (Weldment)	2	1
70-25444-01	Shipping Bracket Assembly	2	19
70-25445-01	Top Assembly (Weldment)(Shipping Bracket)	2	13
70-25446-01	FRAME ASSEMBLY, BA215	1	1
70-25446-01	FRAME ASSEMBLY, BA215	2	N/A
70-25447-01	BACKPLANE ASSEMBLY	1	7
70-25447-01	BACKPLANE ASSEMBLY	5	N/A
70-25449-01	Fan Tray (Weldment)	4	1

\*\*\*NOTE\*\*\*

When the description includes "added" or "deleted, ALWAYS refer to the figure parts list for the latest part description.

**INDEX BY DEC PART NUMBER  
BA215 ENCLOSURE**

PART NO.	DESCRIPTION	FIG NO.	ITEM NO.
70-25450-01	Panel Assembly, Access	1	8
70-25451-01	CHASSIS ASSEMBLY, BA215 1 PS (100/120V)	1	N/A
70-25451-02	CHASSIS ASSEMBLY, BA215 1 PS (220/240V)	1	N/A
70-25454-01	FAN/TRAY ASSEMBLY	4	N/A
70-25454-01	FAN/TRAY ASSEMBLY	1	3
70-25455-01	Switch Assembly, AC	1	6
70-25771-01	Card Cage Assembly, Top	2	11
74-33416-02	Enclosure, H7868 Power Supply	3	17
74-33417-01	Cover, Power Supply	3	20
74-33418-01	Pad, Insulator	3	8
74-33564-01	Guide, 6 Slot Card	2	8
74-33971-01	Filler, Gap	2	2
74-33976-02	Cover, Top Power Supply (added)	3	18
74-34431-01	Support, Spring	3	4
74-36508-01	Support, Backplane Panel	5	1
74-36509-01	Insulator, Backplane	5	2
74-36510-01	Panel, Right	2	16
74-36511-01	Panel, Left	2	17
74-36515-01	Cover, Top	2	18
74-36517-01	Support, Connector	2	14
74-36556-01	Bracket, Power Supply (deleted)	3	22
74-36583-01	Baffle	2	4
90-00030-40	Rivet, Blind	2	12
90-00049-24	Screw, Sems Phi Pan Hd No. 6-32 x 3/8	4	13
90-00049-57	Screw, Sems Phi Pan Hd No. 6-32 x 5/16	4	5
90-00063-78	Screw, Self Tap Truss Hd No. 6 x 5/16	5	4
90-06565-00	Nut, Kep No. 10-32	4	12
90-06659-00	Washer, Flat	4	4
90-06664-00	Washer, Flat	4	11
90-07013-00	Grommet, Round Rubber	4	3
90-07015-00	Grommet, Round Rubber (deleted)	3	15
90-07031-00	Tie, Cable (deleted)	3	16
90-07649-00	Washer, External Tooth Lock No. 6	3	12
90-07880-00	Tie, Cable	1	5
90-07880-00	Tie, Cable	4	6
90-08055-00	Nut, Kep No. 6-32	3	6
90-09165-00	Clip, Fan Mounting	4	7
90-09643-00	Screw, Sems Phi Pan Hd No. 4-40 x 3/8	3	19
90-09984-07	Screw, Sems Phi Pan Hd No. 6-32 x 5/16	3	21
90-10174-00	Screw, Sems Phi Pan Hd No. 6-32 x 1/4	1	9
90-10174-01	Screw, Sems Phi Pan Hd No. 8-32 x 5/16	4	16
H7868-A	POWER SUPPLY ASSEMBLY, H7868 (100/120V)	3	N/A
H7868-A	POWER SUPPLY ASSEMBLY, H7868 (100/120V)	1	2
H7868-B	POWER SUPPLY ASSEMBLY, H7868 (220/240V)	1	2
H7868-B	POWER SUPPLY ASSEMBLY, H7868 (220/240V)	3	N/A

\*\*\*NOTE\*\*\*

When the description includes "added" or "deleted, ALWAYS refer to the figure parts list for the latest part description.

**INDEX BY DEC PART DESCRIPTION  
BA215 ENCLOSURE**

<b>DESCRIPTION</b>	<b>DEC PART NO.</b>	<b>FIG. NO.</b>	<b>ITEM NO.</b>
BACKPLANE ASSEMBLY	70-25447-01	1	7
BACKPLANE ASSEMBLY	70-25447-01	5	N/A
Backplane, BA215	54-17408-01	5	3
Baffle	74-36583-01	2	4
Bracket, Power Supply (deleted)	74-36556-01	3	22
Bushing, Captive Screw	12-27446-01	3	10
Card Cage Assembly, Top	70-25771-01	2	11
Card Cage, Bottom (Weldment)	70-25443-01	2	1
CHASSIS ASSEMBLY, BA215 1 PS (100/120V)	70-25451-01	1	N/A
CHASSIS ASSEMBLY, BA215 1 PS (220/240V)	70-25451-02	1	N/A
Circuit Breaker	12-19912-06	3	3
Clip, 1/2 Inch Cable	12-18912-00	2	3
Clip, Adhesive Backed Cable	12-21249-01	2	7
Clip, Adhesive Backed Cable	12-21249-01	4	10
Clip, Fan Mounting	90-09165-00	4	7
Clip, Flat Cable	12-13715-00	2	10
Cover, Power Supply	74-33417-01	3	20
Cover, Top	74-36515-01	2	18
Cover, Top Power Supply (added)	74-33976-02	3	18
Cover, Top Power Supply (Replaces 74-33976-02)	70-22808-02	3	18
Enclosure, H7868 Power Supply	74-33416-02	3	17
Fan Tray (Weldment)	70-25449-01	4	1
Fan, Tube Axial 4-1/2 Inch	12-23609-04	4	2
FAN/TRAY ASSEMBLY	70-25454-01	1	3
FAN/TRAY ASSEMBLY	70-25454-01	4	N/A
Filler, Gap	74-33971-01	2	2
Filter, EMI Line	12-28736-01	4	15
Finger, Grounding	12-26922-01	3	14
Finger, Grounding	12-26922-01	2	9
FRAME ASSEMBLY, BA215	70-25446-01	1	1
FRAME ASSEMBLY, BA215	70-25446-01	2	N/A
Grommet	12-25469-03	2	5
Grommet, Round Rubber	90-07013-00	4	3
Grommet, Round Rubber (deleted)	90-07015-00	3	15
Guide, 6 Slot Card	74-33564-01	2	8
Guide, Card	12-26912-01	2	6
Harness Assembly, H7868	70-23366-01	3	2
Harness Assembly, Wire	17-01938-01	1	4
Harness Assembly, Wire	17-01981-01	4	17
Harness Assembly, Wire	17-01939-01	4	8
Insulator, Backplane	74-36509-01	5	2
Jumper Assembly, 2 Pin Mate-N-Lok (120V)	70-23770-01	3	7

**\*\*\*NOTE\*\*\***

When the description includes "added" or "deleted", ALWAYS refer to the figure parts list for the latest related part description.



**INDEX BY DEC PART DESCRIPTION  
BA215 ENCLOSURE**

DESCRIPTION	DEC PART NO.	FIG. NO.	ITEM NO.
Label, "BA2XX Rev, Rolled" (Replaces 36-28945-01)	36-29163-05	3	Not Shown
Label, "Danger High Voltage"	36-10267-02	3	Not Shown
Label, "Ground Symbol w/Circle"	36-12680-02	4	Not Shown
Label, "Ground Symbol"	36-12680-04	2	Not Shown
Label, "Ground Symbol"	36-12680-00	4	Not Shown
Label, "H7868-A, ID"	36-27463-01	3	Not Shown
Label, "H7868-B, ID"	36-27463-02	3	Not Shown
Label, "Power Supply H7868-A"	36-26511-01	3	Not Shown
Label, "Power Supply H7868-B"	36-26511-02	3	Not Shown
Module, Power Supply	54-16879-01	3	1
Nut, Kep No. 10-32	90-06565-00	4	12
Nut, Kep No. 6-32	90-08055-00	3	6
Pad, Insulator	74-33418-01	3	8
Panel Assembly, Access	70-25450-01	1	8
Panel, Left	74-36511-01	2	17
Panel, Right	74-36510-01	2	16
POWER SUPPLY ASSEMBLY, H7868 (100/120V)	H7868-A	3	N/A
POWER SUPPLY ASSEMBLY, H7868 (100/120V)	H7868-A	1	2
POWER SUPPLY ASSEMBLY, H7868 (220/240V)	H7868-B	1	2
POWER SUPPLY ASSEMBLY, H7868 (220/240V)	H7868-B	3	N/A
Rivet, Blind	90-00030-40	2	12
Screw, Captive No. 6-32 (added)	12-30239-01	3	18
Screw, Fillister Slotted Hd No. 6-32 x 5/16	12-27451-01	2	15
Screw, Phl Shoulder Hd No. 6-32 x 1/2	12-27772-01	3	13
Screw, Self Tap Truss Hd No. 6 x 5/16	90-00063-78	5	4
Screw, Sems Phl Pan Hd No. 4-40 x 3/8	90-09643-00	3	19
Screw, Sems Phl Pan Hd No. 6-32 x 1/4	90-10174-00	1	9
Screw, Sems Phl Pan Hd No. 6-32 x 3/8	90-00049-24	4	13
Screw, Sems Phl Pan Hd No. 6-32 x 5/16	90-09984-07	3	21
Screw, Sems Phl Pan Hd No. 6-32 x 5/16	90-00049-57	4	5
Screw, Sems Phl Pan Hd No. 8-32 x 5/16	90-10174-01	4	16
Screw, Shoulder No. 8-32	12-27034-01	4	9
Shipping Bracket Assembly	70-25444-01	2	19
Spring, Compression	12-27235-02	3	5
Spring, Compression	12-27445-01	3	11
Support, Backplane Panel	74-36508-01	5	1
Support, Connector	74-36517-01	2	14
Support, Spring	74-34431-01	3	4
Switch Assembly, AC	70-25455-01	1	6
Tie, Cable	90-07880-00	1	5
Tie, Cable	90-07880-00	4	6
Tie, Cable (deleted)	90-07031-00	3	16
Top Assembly (Weldment)(Shipping Bracket)	70-25445-01	2	13
Tubing, Shrink	12-30339-01	3	23

\*\*\*NOTE\*\*\*

When the description includes "added" or "deleted", ALWAYS refer to the figure parts list for the latest related part description.

**INDEX BY DEC PART DESCRIPTION  
BA215 ENCLOSURE**

<b>DESCRIPTION</b>	<b>DEC PART NO.</b>	<b>FIG. NO.</b>	<b>ITEM NO.</b>
Washer, External Tooth Lock No. 6	90-07649-00	3	12
Washer, Flat	90-06664-00	4	11
Washer, Flat	90-06659-00	4	4
Washer, Retaining	12-30421-01	4	14
Washer, Retaining (added)	12-30421-01	3	18
Washer, Retaining (Replaces 12-27764-01)	12-30421-01	3	9

**\*\*\*NOTE\*\*\***

**When the description includes "added" or "deleted", ALWAYS refer to the figure parts list for the latest related part description.**