

Technical Change Notice

TU78 Subsystem Pocket Service Guide EK-0TU78-PS-002

C.1 PURPOSE

The purpose of this addendum is to document two major changes to the TU78 power supply.

1. New configuration of the power transformer voltage taps (Paragraph C.2).
2. Additional fuse panel and fuses (Paragraph C.3).

NOTE

If you have the new fuse panel you may not necessarily have the new power transformer voltage tap configuration. Compare the figures and tables in this addendum to your tape drive to determine what modifications you have.

C.2 POWER TRANSFORMER VOLTAGE TAPS

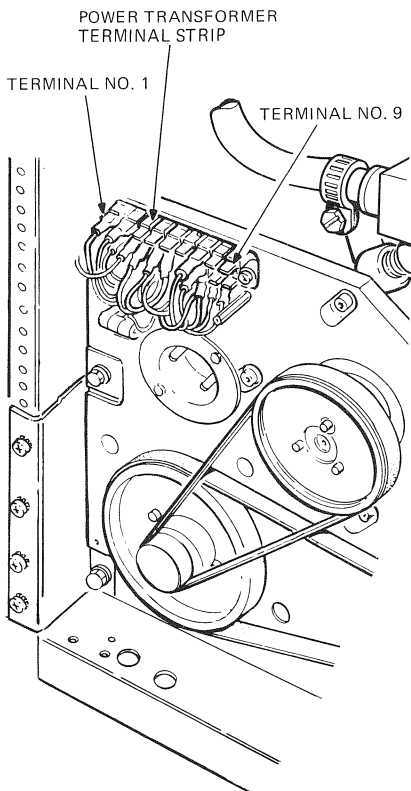
All drives now being shipped from the vendor have a new configuration for the power transformer voltage taps. The new configuration begins with units having a serial number of about 12500 and higher.

Table C-1 shows the configuration of early models of the power transformer voltage taps. Table C-2 shows the new configuration for later models. Using Figure C-1, find the power transformer terminal strip. Compare this with Tables C-1 and C-2 to determine what configuration you have.

C.3 FUSE PANEL AND FUSES

Additional fuses have been added to the power supply to prevent component failures. Figure C-2 shows the early type of fuse panel. Table C-3 shows the voltage ranges that should be present at these fuses.

Figure C-3 shows the new fuse panels. Table C-4 shows the voltage ranges that should be present at these fuses.



SHR-0458-85

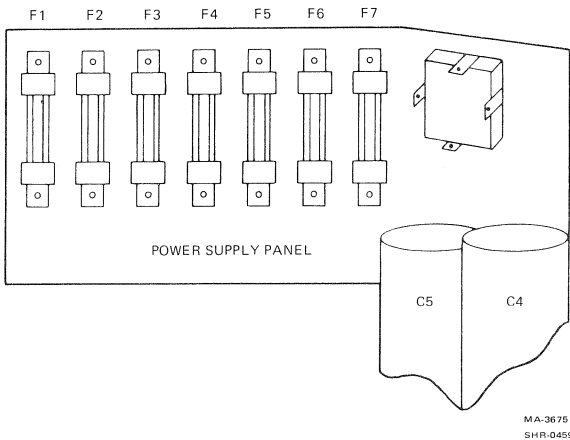
Figure C-1 Location Of Power Transformer Terminal Strip

Table C-1 Primary Power Connections (Early Models)

Input Voltage	Blue Wire	Brown Wire and White/Red Wire
198 - 205	TB1-4	TB1-7
206 - 215	TB1-3	TB1-7
216 - 225	TB1-4	TB1-8
226 - 235	TB1-3	TB1-8
236 - 245	TB1-4	TB1-9
246 - 255	TB1-3	TB1-9

Table C-2 Primary Power Connections (Later Models)

Input Voltage	Blue Wire	Brown Wire and White/Red Wire
198 - 214	TB1-4	TB1-8
215 - 224	TB1-3	TB1-8
225 - 234	TB1-4	TB1-9
235 - 245	TB1-3	TB1-9

**Figure C-2 Power Supply Fuse Panel (Early Models)****Table C-3 Power Supply Voltage Readings (Early Models)**

Fuse	Circuit Function	Type	Measured Voltage (dc)		
			Minimum	Nominal	Maximum
F1	+12 V	7 A FB	+9.5	+10.5	+11.5
F2	+24 V	5 A FB	+22.0	+24.0	+26.0
F3	-24 V	5 A FB	-22.0	-24.0	-26.0
F4	+36 V (C)	20 A FB	+35.0	+37.5	+40.0
F5	-36 V (C)	20 A FB	-35.0	-37.5	-40.0
F6	+36 V (T)	20 A FB	+38.0	+40.0	+42
F7	+36 V (S)	20 A FB	+38.0	+40.0	+42.0

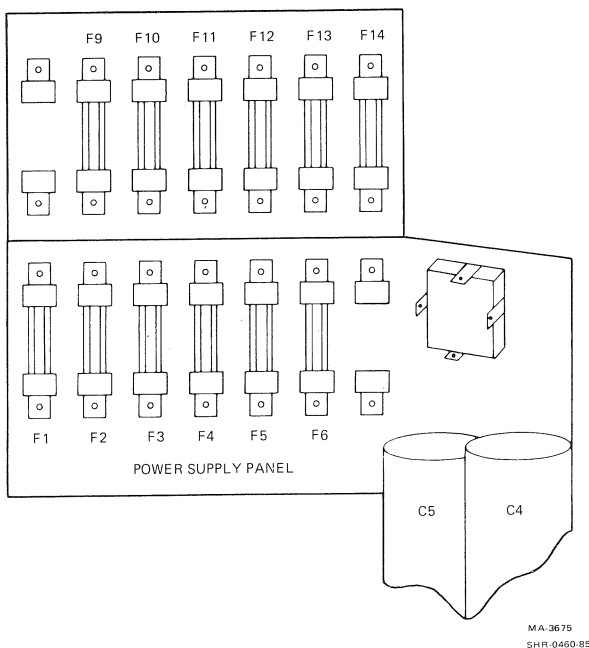


Figure C-3 Power Supply Fuse Panel (Later Models)

Table C-4 Power Supply Voltage Readings (Later Models)

Fuse	Circuit Function	Type	Measured Voltage (dc)		
			Minimum	Nominal	Maximum
F1	+12 V	30 A SB	+9.5	+10.5	+11.5
F2	+24 V	30 A SB	+22.0	+24.0	+26.0
F3	-24 V	10 A SB	-22.0	-24.0	-26.0
F4	+36 V (C)	10 A SB	+35.0	+37.5	+40.0
F5	-36 V (C)	15 A SB	-35.0	-37.5	-40.0
F6	+36 V (T)	15 A SB	+38.0	+40.0	+42.0
F9	+36 V (S)	20 A FB	+38.0	+40.0	+42.0
F10	+36 V (T)	20 A FB	+38.0	+40.0	+42.0
F11	-36 V (S)	20 A FB	-38.0	-40.0	-42.0
F12	-36 V (T)	20 A FB	-38.0	-40.0	-42.0
F13	+36 V (C)	20 A FB	+35.0	+37.5	+40.0
F14	-36 V (C)	20 A FB	-35.0	-37.5	-40.0