

ILLUSTRATED PARTS BREAKDOWN

220QF CABINET SYSTEM

HOW TO USE THE IPB

GENERAL

This IPB is compiled following the organization and nomenclature of the engineering drawing structure.

MAJOR ASSEMBLY LOCATOR (When Applicable)

The Major Assembly Locator (first illustration) is an index that provides a description and a figure reference for all illustrations used in this manual.

INDENTED PARTS LIST

This manual identifies each assembly being broken down (figure reference callout), and all parts of that assembly. Further breakdown of an assembly is shown by an asterisk (*) preceding the item callouts in the Description Column. The number of asterisks preceding an item is used to denote the subordination of that item with respect to the Major Assembly. A single asterisk preceding an item description indicates that the item is part of the major assembly being illustrated. Items that are subordinate to single asterisks items, are denoted by two asterisks (**) and immediately follow the related single asterisk item. This system of part identification provides a means for the user to identify the next higher assembly item and make alternate selections for parts when the required replacement part of assembly is not immediately available.

COLUMN CALLOUT DESCRIPTION

Figure and Item - Indicates the figure number and item number of each part.

Description - Lists the name of the part and pertinent specifications (when required). Asterisks preceding the description denote the subordination of the part to the next higher assembly.

DEC Part No. - Lists the Digital part ordering number. A blank in this column indicates a Digital part number was not assigned at the time of publication.

ECO Cut-In - The notation at the top of this column indicates the ECO level of the system (option) at which the IPB was initially prepared. Subsequent ECO level designations, that modify existing parts or add new parts to the device, are inserted in the ECO Cut-In column next to the part that is added or modified.

Used On Code - Letters in this column correspond to the variation codes assigned in Figure 1. Parts with an Alpha notation(s) are used only in those option variations. A blank indicates that the part is used on all option variations.

Ref Fig No. - A cross reference between illustrations. For each Major Assembly, the number in this column denotes the figure of the next higher assembly. For all subassemblies, the number in this column denotes the figure showing additional detailed breakdown.

PART NUMBER/PART DESCRIPTION INDEX SECTION

Parts are indexed both numerically and alphabetically by description, referenced to a location within the IPB, by figure number and item number.

REVISION HISTORY

REVISION HISTORY			OTHER IPB MANUALS REFERENCED
PRINTING	ECO LEVEL		DATE
1st Printing	220QF 00000-00000 70-25775 00006-00006		17-DEC-90 EK-BA213-IP EK-H9644-IP EK-ORA90-IP

Digital Equipment Corporation reserves the right, without notice, to make substitutions and modifications in the specifications of products documented in this manual and further reserves the right to withdraw any of these products from the market without notice.

Digital Equipment Corporation is not responsible for errors which may appear in the technical description (including illustrations and photographs) of the products covered by this manual.

None of the descriptions contained in this manual imply the granting of any license whatsoever to make, use or sell equipment constructed in accordance therewith.

Restricted Rights: Use, duplication or disclosure by the U.S. Government is subject to restrictions as set forth in subparagraph (c) (1) (ii) of the Rights in Technical Data and Computer Software clause at DFARS 252.227-2713.

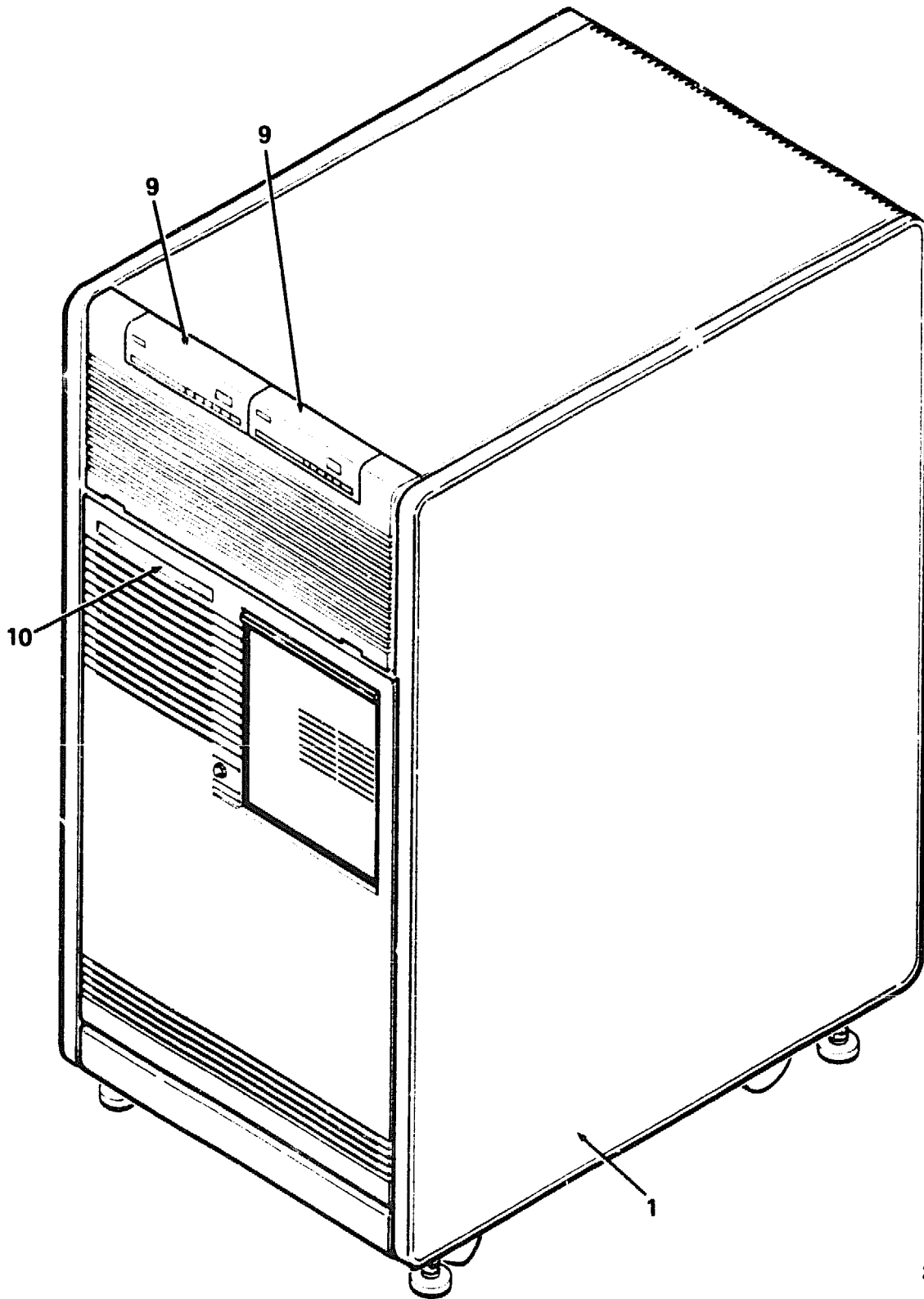
Copyright © 1990 by Digital Equipment Corporation. All rights reserved.

The postage-paid READER'S COMMENTS form on the last page of this document requests your critical evaluation to assist us in preparing future documentation.

The following are trademarks of Digital Equipment Corporation :



DEC
DECdirect
DECsystem
DECUS
H9644
PDP
RA90
UNIBUS
VAX



220QF-01-BD

Figure 1. 220QF Cabinet System (Sheet 1 of 3)

PARTS LIST

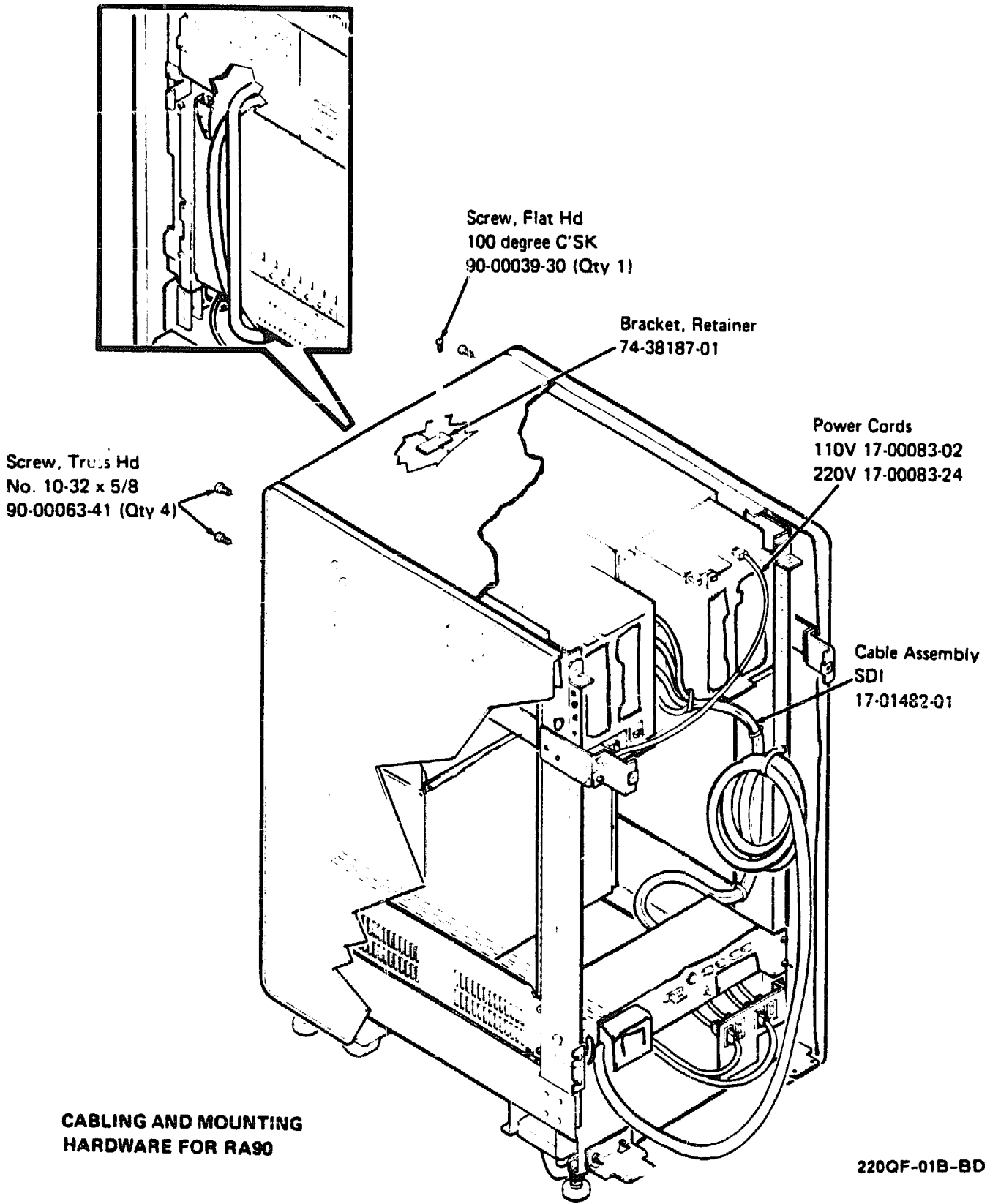
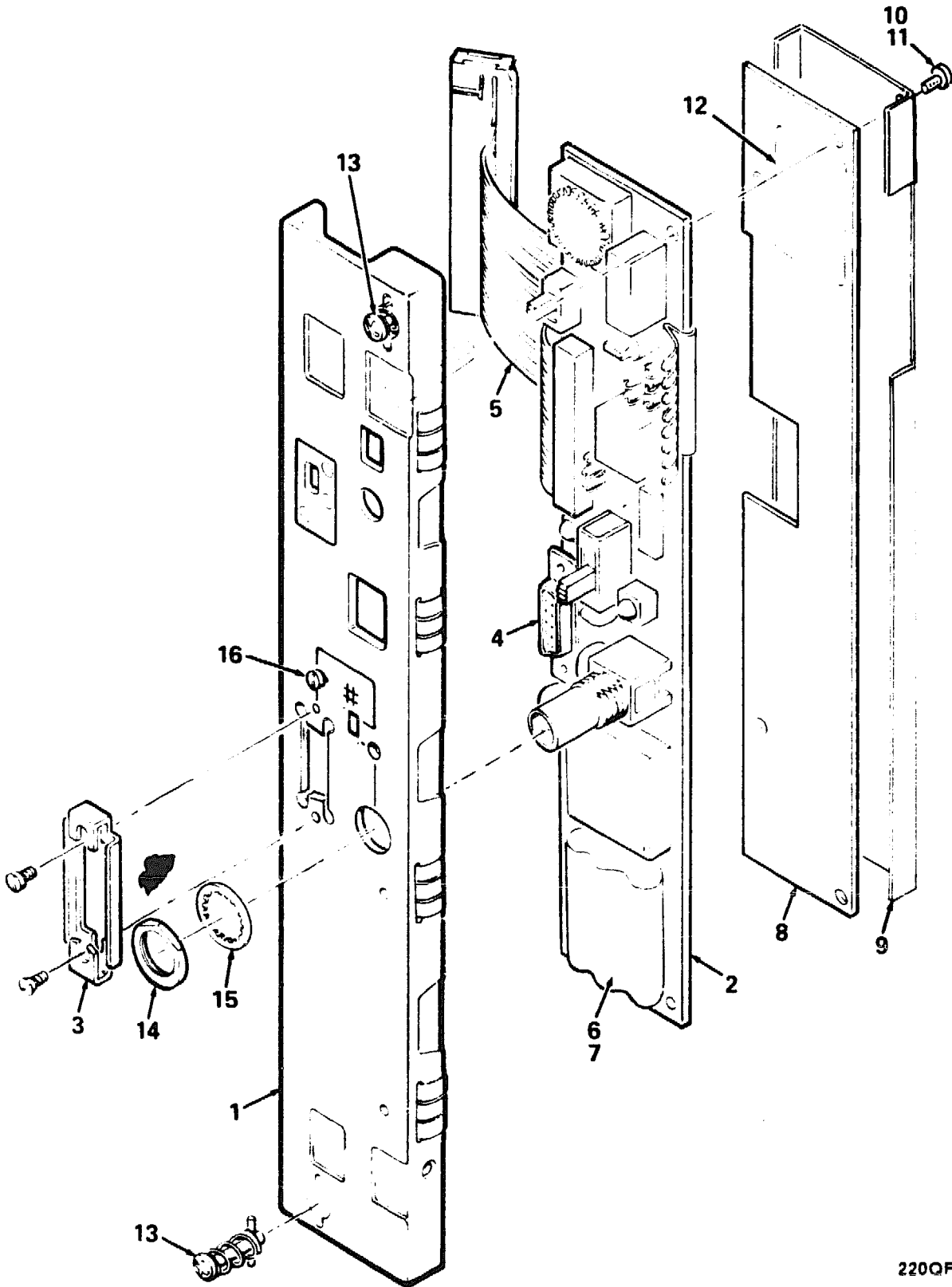


Figure 1. 220QF Cabinet System (Sheet 3 of 3)

FIG. & ITEM NO.	DESCRIPTION	X10 DEC PART NO.	ECO CUT-IN 220QF 00000	USED ON CODE	REF FIG NO.
1-	220QF CABINET SYSTEM				
	Code A - Used on 220QF-A2 120V Code B - Used on 220QF-A3 240V	220QF-A2 220QF-A3		A B	
1	*Cabinet Assembly, BA213 40 Inch 120V (See IPB Manual EK-H9644-IP)	70-26188-01		A	
	*Cabinet Assembly, BA213 40 Inch 240V (See IPB Manual EK-H9644-IP)	70-26188-02		B	
2	*BULKHEAD ASSEMBLY, H3602 MODULE	70-25775-03			2
3	*Module, KN220 32MB Memory (M7639-AA)	MS220-AA			
4	*Module, KN220 CPU	M7637-AA			
5	*Module, KN220 I/O	M7638-AA			
6	*Bulkhead Assembly, Front Dual	70-23982-02			
7	*Bulkhead Assembly, Front	70-23981-01			
8	*Panel Assembly, Gap Filler	70-24071-01			
9	Disk Drive Assembly, RA90 (See IPB Manual EK-0RA90-IP) (Not Part of This Assembly, Shown For Reference Only.)	RA90-MA			
10	*Nameplate, DECsystem 5500	74-34225-44			
11	*Module, Load	M9060-YA			
12	*Panel Assembly, Front (See Note 1)	70-23995-04			
13	*Cable Assembly, 100 Cond Flat (1-2 Mem.)	17-02700-01			
14	*Cable Assembly, 100 Cond Flat (3 Mem.)	17-02700-02			
15	*Cable Assembly, 100 Cond Flat (4 Mem.)	17-02700-03			
16	*Cable Assembly, 100 Cond Flat (5 Mem.)	17-02700-04			
17	*Mount Assembly, Bottom Shock (See Note 1)	70-25452-03			
18	*Mount Assembly, Top Shock (See Note 1)	70-25452-04			
19	*Panel, 5 1/4 inch Tape Drive Filler (See Note 1)	74-36425-01			
20	*Harness Assembly (Right) (See Note 1)	17-01362-01			
	*Harness Assembly (Left) (Not Shown)	17-01362-02			
21	*HANDLE, SCSI	70-27464-01			
	**Screw, Mach Flat Hd No. 4-40 x 7/16	90-00039-14			
	**Cable Assembly, 50-Pin	17-02665-01			
22	*Connector, SCSI Terminator	12-30552-01			
23	*Power Cord, 120V 10A (2.5M) (BN20A-2E) (US/Japan/Canada) (Not Shown) (See Note 2)	17-00083-43			
	NOTE 1: These Items Installed On Diskless And/Or Tapeless Systems.				
	NOTE 2: Reference Index For 240V Power Cords.				

FIG. & ITEM NO.	DESCRIPTION	DEC PART NO. X10	ECO CUT-IN 220QF 00000	USED ON CODE	REF FIG NO.
1-	<p>FIELD REPLACEABLE UNITS (Not Shown, Listed For Reference Only.) (See IPB Manual EK-BA213-IP)</p> <p>*Backplane Assembly 70-23712-01</p> <p>*Battery, NVRAM CPU 2.8V (Located On M7637-AA) 12-33140-01</p> <p>*Fan Assembly 12-23609-04</p> <p>*Filter Assembly, AC Input 70-23769-01</p> <p>*Power Supply Assembly 100/120V H7868-A</p> <p>*Power Supply Assembly 220/240V H7868-B</p> <p>*Switch Assembly, AC 70-23999-01</p> <p>*Harness Assembly, Power Supply 70-23366-01</p> <p>*Cable Assembly, Flat 04 Conductor 17-01503-01</p> <p>*Cable Assembly, Flat 10 Conductor 17-01641-01</p> <p>*Cable Assembly, Flat 20 Conductor 17-00847-06</p> <p>*Cable Assembly, SI Shielded Coax 17-00951-03</p> <p>*Bracket, RA70 Top Drive 70-24559-01</p> <p>*Bracket, RA70 Bottom Drive 70-24559-02</p> <p>*Mount Assembly, RA70 Top Shock 70-23997-05</p> <p>*Mount Assembly, RA70 Bottom Shock 70-23997-06</p> <p>*Bracket, TK70 Top Drive 74-33573-01</p> <p>*Bracket, TK70 Bottom Drive 74-33573-02</p> <p>*Mount Assembly, TK70 Bottom Shock 70-23997-01</p> <p>*Mount Assembly, TK70 Top Shock 70-23997-02</p> <p>KITS (Not Shown)</p> <p>*KIT, ACCESSORY 70-27403-01</p> <p>**Cable Assembly, 06 Cond Molded Oval 17-00811-03</p> <p>**Key, Plastic 12-17119-01</p> <p>**Connector, Adapter (25 Pos) 12-23589-01</p> <p>**Screwdriver, Flat Blade 47-00042-00</p> <p>**Wrench, Allen Hex 47-00045-00</p> <p>**Label, "S-Box" 36-27923-01</p> <p>**Label, "Bar Code" 36-18460-06</p> <p>**Label, "BA2XX Rev" (Sheeted) 36-29164-07</p> <p>**Tee, BNC Coaxial 12-25869-01</p> <p>**Connector, BNC Coaxial 12-26318-01</p>			<p>A</p> <p>B</p> <p>A</p>	

FIG. P ITEM NO.	DESCRIPTION	DEC PART NO.	ECO CUT-IN 220QF 00000	USED ON CODE	REF FIG NO.
1-	KITS (Not Shown) (Continued)				
	*KIT, ACCESSORY	70-27403-02		B	
	**Cable Assembly, 06 Cond Molded Shielded	17-01384-02			
	**Key, Plastic	12-17119-01			
	**Connector, Adapter (25 Pos)	12-23599-01			
	**Screwdriver, Flat Blade	47-00042-00			
	**Wrench, Allen Hex	47-00045-00			
	**Label, "S-Box"	36-27923-01			
	**Label, "Bar Code"	36-18460-06			
	**Label, "BA2XX Rev" (Sheeted)	36-29164-07			
	**Tee, BNC Coaxial	12-25869-01			
	**Connector, BNC Coaxial	12-26318-01			
	*KIT, Q-BUS GRANT CONTINUITY	M9047-SA			
	**Card, Q-Bus Grant Continuity	M9047-00			
	**Panel, Blank Dual	74-33507-01			
	**Kit, Bulkhead Panel	70-24505-01			
	**Kit, Bulkhead Panel	70-24505-02			
	**Label, "Module Number"	36-26883-18			
	LABELS (Not Shown)				
	*Label, "Module Number M7637-AA"	36-26883-A0			
	*Label, "Module Number M7638-AA"	36-26883-A1			
	*Label, "Module Number M7639-AA"	36-26883-A2			
	*Label, "Module Number M9047-00"	36-26883-18			
	*Label, "Module Number M9060-YA"	36-26883-17			
	*Label, "Caution S-Box Shipping"	36-27924-01			
	*Label, "Postcard FTZ H9644 Series"	36-30422-31			
	*Label, "Japan PTT"	36-33180-10			
	*Label, "BA2XX Rev" (Rolled)	36-29163-07			
	*Label, "Bar Code"	36-18460-06			
	*Label, "Cabinet, USA, 100V"	36-27838-17		A	
	*Label, "Cabinet, USA, 220V"	36-27838-18		B	
	*Label, "Cabinet, UK, 100V"	36-27838-19		A	
	*Label, "Cabinet, UK, 220V"	36-27838-20		B	
	*Label, "Pedestal, USA, 110V"	36-27838-31		A	
	*Label, "Pedestal, USA, 220V"	36-27838-28		B	
	*Label, "Pedestal, UK, 110V"	36-27838-30		A	
	*Label, "Pedestal, UK, 220V"	36-27838-29		B	



220QF-02-BD

Figure 2. Bulkhead Assembly, H3602 Module

PARTS LIST

FIG. & ITEM NO.	DESCRIPTION	DEC PART NO. ^H	ECO CUT-IN 70-25775 00006	USED ON CODE	REF FIG NO.
2-	BULKHEAD ASSEMBLY, H3602 MODULE	70-25775-03			1
1	*Bulkhead Assembly, Front Dual	70-23982-14			
2	*Module, SLU Console	54-17381-03			
3	*Latch Assembly, 2 Piece Slide w/Hardware	12-18489-04			
4	*Latch Assembly, 15-Pin Slide w/o Hardware	12-18489-03			
5	*Cable Assembly, 5-Pin to 40-Pin Connector	17-02666-01			
6	*Battery, 3 Cell 3.75V .18ma Nicad (-01 Replacement For -00)	12-19245-01			
7	*Tape, Velcro	12-26595-02			
8	*Insulator, Shield	74-37167-02			
9	*Shield, H3602	74-42177-01			
10	*Screw, Self-Tap Truss Hd No. 6 x 5/16	90-00063-78			
11	*Washer, Flat	90-06659-00			
12	*Label, "Baud Select"	36-26584-01			
13	Fastener, 1/4 Turn (Not Part of This Assembly, Shown For Reference Only.)	12-26948-01			
14	*Nut, Hex No. 1/2-28	90-10563-01			
15	*Washer, Internal Tooth Lock No. 6 (Bronze)	90-00037-05			
16	*Screw, Self-Tap Truss Hd No. 4-40 x 5/16	90-00063-02			
	ITEMS (Not Shown)				
	*Label, "Direct Thermal"	36-28231-08			
	*Package Assembly	37-00983-12			
					Ω

PART NUMBER/DESCRIPTION INDEX



**INDEX BY DEC PART NUMBER
220QF CABINET SYSTEM**

PART NO.	DESCRIPTION	FIG NO.	ITEM NO.
12-17119-01	Key, Plastic	1	Not Shown
12-18489-03	Latch Assembly, 15-Pin Slide w/o Hardware	2	4
12-18489-04	Latch Assembly, 2 Piece Slide w/Hardware	2	3
12-19245-01	Battery, 3 Cell 3.75V .18ma Nicad (-01 Replacement For -00)	2	6
12-23599-01	Connector, Adapter (25 Pos)	1	Not Shown
12-23609-04	Fan Assembly	1	Not Shown
12-25869-01	Tee, BNC Coaxial	1	Not Shown
12-26318-01	Connector, BNC Coaxial	1	Not Shown
12-26595-02	Tape, Velcro	2	7
12-26948-01	Fastener, 1/4 Turn	2	13
12-30552-01	Connector, SCSI Terminator	1	22
12-33140-01	Battery, NVRAM CPU 2.8V (Located On M7637-AA)	1	Not Shown
17-00083-43	Power Cord, 120V 10A (2.5M) (BN20A-2E) (US/Japan/Canada) (Not Shown)	1	23
17-00083-44	Power Cord 240V 10A (2.5M) (BN20B-2E) (US/Japan/Canada)	1	Not Shown
17-00198-04	Power Cord 240V 10A (2.5M) (BN20C-2E) (Australia/New Zealand)	1	Not Shown
17-00199-07	Power Cord 240V 10A (2.5M) (BN20D-2E) (Central Europe)	1	Not Shown
17-00209-04	Power Cord 240V 10A (2.5M) (BN20E-2E) (U.K./Ireland)	1	Not Shown
17-00210-04	Power Cord 240V 10A (2.5M) (BN20F-2E) (Switzerland)	1	Not Shown
17-00310-07	Power Cord 240V 10A (2.5M) (BN20H-2E) (Denmark)	1	Not Shown
17-00364-05	Power Cord 240V 10A (2.5M) (BN20J-2E) (Italy)	1	Not Shown
17-C0456-05	Power Cord 240V 10A (2.5M) (BN20K-2E) (India/S. Africa)	1	Not Shown
17-00457-05	Power Cord 240V 10A (2.5M) (BN20L-2E) (Israel)	1	Not Shown
17-00811-03	Cable Assembly, 06 Cond Molded Oval	1	Not Shown
17-00847-06	Cable Assembly, Flat 20 Conductor	1	Not Shown
17-00951-03	Cable Assembly, SI Shielded Coax	1	Not Shown
17-01362-01	Harness Assembly (Right)	1	2C
17-01362-02	Harness Assembly (Left) (Not Shown)	1	20
17-01364-02	Cable Assembly, 06 Cond Molded Shielded	1	Not Shown
17-01503-01	Cable Assembly, Flat 04 Conductor	1	Not Shown
17-01641-01	Cable Assembly, Flat 10 Conductor	1	Not Shown
17-02665-01	Cable Assembly, 50-Pin	1	21
17-02666-01	Cable Assembly, 5-Pin to 40-Pin Connector	2	5
17-02700-01	Cable Assembly, 100 Cond Flat (1-2 Mem.)	1	13
17-02700-02	Cable Assembly, 100 Cond Flat (3 Mem.)	1	14
17-02700-03	Cable Assembly, 100 Cond Flat (4 Mem.)	1	15
17-02700-04	Cable Assembly, 100 Cond Flat (5 Mem.)	1	16
220QF-A2	220QF-A2 120V	1	N/A
220QF-A3	220QF-A3 240V	1	N/A
36-18460-06	Label, "Bar Code"	1	Not Shown
36-26584-01	Label, "Baud Select"	2	12
36-26883-17	Label, "Module Number M9060-YA"	1	Not Shown
36-26883-18	Label, "Module Number"	1	Not Shown
36-26883-18	Label, "Module Number M9047-00"	1	Not Shown

**INDEX BY DEC PART NUMBER
220QF CABINET SYSTEM**

PART NO.	DESCRIPTION	FIG NO.	ITEM NO.
36-26883-A0	Label, "Module Number M7637-AA"	1	Not Shown
36-26883-A1	Label, "Module Number M7638-AA"	1	Not Shown
36-26883-A2	Label, "Module Number M7639-AA"	1	Not Shown
36-27838-17	Label, "Cabinet, USA, 100V"	1	Not Shown
36-27838-18	Label, "Cabinet, USA, 220V"	1	Not Shown
36-27838-19	Label, "Cabinet, UK, 100V"	1	Not Shown
36-27838-20	Label, "Cabinet, UK, 220V"	1	Not Shown
36-27838-28	Label, "Pedestal, USA, 220V"	1	Not Shown
36-27838-29	Label, "Pedestal, UK, 220V"	1	Not Shown
36-27838-30	Label, "Pedestal, UK, 110V"	1	Not Shown
36-27838-31	Label, "Pedestal, USA, 110V"	1	Not Shown
36-27923-01	Label, "S-Box"	1	Not Shown
36-27924-01	Label, "Caution S-Box Shipping"	1	Not Shown
36-28231-08	Label, "Direct Thermal"	2	Not Shown
36-29163-07	Label, "BA2XX Rev" (Rolled)	1	Not Shown
36-29164-07	Label, "BA2XX Rev" (Sheeted)	1	Not Shown
36-30422-31	Label, "Postcard FTZ H9644 Series"	1	Not Shown
36-33180-10	Label, "Japan PTT"	1	Not Shown
37-00983-12	Package Assembly	2	Not Shown
47-00042-00	Screwdriver, Flat Blade	1	Not Shown
47-00045-00	Wrench, Allen Hex	1	Not Shown
54-17381-03	Module, SLU Console	2	2
70-23366-01	Harness Assembly, Power Supply	1	Not Shown
70-23712-01	Backplane Assembly	1	Not Shown
70-23769-01	Filter Assembly, AC Input	1	Not Shown
70-23981-01	Bulkhead Assembly, Front	1	7
70-23982-02	Bulkhead Assembly, Front Dual	1	6
70-23982-14	Bulkhead Assembly, Front Dual	2	1
70-23995-04	Panel Assembly, Front	1	12
70-23997-01	Mount Assembly, TK70 Bottom Shock	1	Not Shown
70-23997-02	Mount Assembly, TK70 Top Shock	1	Not Shown
70-23997-05	Mount Assembly, RA70 Top Shock	1	Not Shown
70-23997-06	Mount Assembly, RA70 Bottom Shock	1	Not Shown
70-23999-01	Switch Assembly, AC	1	Not Shown
70-24071-01	Panel Assembly, Gap Filler	1	8
70-24505-01	Kit, Bulkhead Panel	1	Not Shown
70-24505-02	Kit, Bulkhead Panel	1	Not Shown
70-24559-01	Bracket, RA70 Top Drive	1	Not Shown
70-24559-02	Bracket, RA70 Bottom Drive	1	Not Shown
70-25452-03	Mount Assembly, Bottom Shock	1	17
70-25452-04	Mount Assembly, Top Shock	1	18
70-25775-03	BULKHEAD ASSEMBLY, H3602 MODULE	1	2
70-26188-01	Cabinet Assembly, BA213 40 Inch 120V	1	1
70-26188-02	Cabinet Assembly, BA213 40 Inch 240V	1	1
70-27403-01	KIT, ACCESSORY	1	Not Shown
70-27403-02	KIT, ACCESSORY	1	Not Shown
70-27464-01	HANDLE, SCSI	1	21

**INDEX BY DEC PART NUMBER
220QF CABINET SYSTEM**

PART NO.	DESCRIPTION	FIG NO.	ITEM NO.
74-33507-01	Panel, Blank Dual	1	Not Shown
74-33573-01	Bracket, TK70 Top Drive	1	Not Shown
74-33573-02	Bracket, TK70 Bottom Drive	1	Not Shown
74-34225-44	Nameplate, DECsystem 5500	1	10
74-36425-01	Panel, 5 1/4 inch Tape Drive Filler	1	19
74-37167-02	Insulator, Shield	2	8
74-42177-01	Shield, H3602	2	9
90-00037-05	Washer, Internal Tooth Lock No. 6 (Bronze)	2	15
90-00039-14	Screw, Mach Flat Hd No. 4-40 x 7/16	1	21
90-00063-02	Screw, Self-Tap Truss Hd No. 4-40 x 5/16	2	16
90-J0063-78	Screw, Self-Tap Truss Hd No. 6 x 5/16	2	10
90-06659-00	Washer, Flat	2	11
90-10563-01	Nut, Hex No. 1/2-28	2	14
H7868-A	Power Supply Assembly 100/120V	1	Not Shown
H7868-B	Power Supply Assembly 220/240V	1	Not Shown
M7637-AA	Module, KN220 CPU	1	4
M7638-AA	Module, KN220 I/O	1	5
M9047-00	Card, Q-Bus Grant Continuity	1	Not Shown
M9047-SA	KIT, Q-BUS GRANT CONTINUITY	1	Not Shown
M9060-YA	Module, Load	1	11
MS220-AA	Module, KN220 32 MB Memory (M7639-AA)	1	3
RA90-MA	Disk Drive Assembly, RA90	1	9

**INDEX BY DEC PART DESCRIPTION
220QF CABINET SYSTEM**

DESCRIPTION	DEC PART NO.	FIG. NO.	ITEM NO.
220QF CABINET SYSTEM	N/A	1	N/A
220QF-A2 120V	220QF-A2	1	N/A
220QF-A3 240V	220QF-A3	1	N/A
Backplane Assembly	70-23712-01	1	Not Shown
Battery, 3 Cell 3.75V .18ma Nicad (-01 Replacement For -00)	12-19245-01	2	6
Battery, NVRAM CPU 2.8V (Located On M7637-AA)	12-33140-01	1	Not Shown
Bracket, RA70 Bottom Drive	70-24559-02	1	Not Shown
Bracket, RA70 Top Drive	70-24559-01	1	Not Shown
Bracket, TK70 Bottom Drive	74-33573-02	1	Not Shown
Bracket, TK70 Top Drive	74-33573-01	1	Not Shown
Bulkhead Assembly, Front	70-23981-01	1	7
Bulkhead Assembly, Front Dual	70-23982-14	2	1
Bulkhead Assembly, Front Dual	70-23982-02	1	6
BULKHEAD ASSEMBLY, H3602 MODULE	70-25775-03	1	2
Cabinet Assembly, BA213 40 Inch 120V	70-26188-01	1	1
Cabinet Assembly, BA213 40 Inch 240V	70-26188-02	1	1
Cable Assembly, 06 Cond Molded Oval	17-00811-03	1	Not Shown
Cable Assembly, 06 Cond Molded Shielded	17-01364-02	1	Not Shown
Cable Assembly, 100 Cond Flat (1-2 Mem.)	17-02700-01	1	13
Cable Assembly, 100 Cond Flat (3 Mem.)	17-02700-02	1	14
Cable Assembly, 100 Cond Flat (4 Mem.)	17-02700-03	1	15
Cable Assembly, 100 Cond Flat (5 Mem.)	17-02700-04	1	16
Cable Assembly, 5-Pin to 40-Pin Connector	17-02666-01	2	5
Cable Assembly, 50-Pin	17-02665-01	1	21
Cable Assembly, Flat 04 Conductor	17-01503-01	1	Not Shown
Cable Assembly, Flat 10 Conductor	17-01641-01	1	Not Shown
Cable Assembly, Flat 20 Conductor	17-00847-06	1	Not Shown
Cable Assembly, SI Shielded Coax	17-00951-03	1	Not Shown
Card, Q-Bus Grant Continuity	M9047-00	1	Not Shown
Connector, Adapter (25 Pos)	12-23599-01	1	Not Shown
Connector, BNC Coaxial	12-26318-01	1	Not Shown
Connector, SCSI Terminator	12-30552-01	1	22
Disk Drive Assembly, RA90	RA90-MA	1	9
Fan Assemtly	12-23609-04	1	Not Shown
Fastener, 1/4 Turn	12-26948-01	2	13
Filter Assembly, AC Input	70-23769-01	1	Not Shown
HANDLE, SCSI	70-27464-01	1	21
Harness Assembly (Left) (Not Shown)	17-01362-02	1	20
Harness Assembly (Right)	17-01362-01	1	20
Harness Assembly, Power Supply	70-23366-01	1	Not Shown
Insulator, Shield	74-37167-02	2	8
Key, Plastic	12-17119-01	1	Not Shown
KIT, ACCESSORY	70-27403-01	1	Not Shown
KIT, ACCESSORY	70-27403-02	1	Not Shown
Kit, Bulkhead Panel	70-24505-02	1	Not Shown
Kit, Bulkhead Panel	70-24505-01	1	Not Shown
KIT, Q-BUS GRANT CONTINUITY	M9047-SA	1	Not Shown

**INDEX BY DEC PART DESCRIPTION
220QF CABINET SYSTEM**

DESCRIPTION	DEC PART NO.	FIG. NO.	ITEM NO.
Label, "BA2XX Rev" (Rolled)	36-29163-07	1	Not Shown
Label, "BA2XX Rev" (Sheeted)	36-29164-07	1	Not Shown
Label, "Bar Code"	36-18460-06	1	Not Shown
Label, "Baud Select"	36-26584-01	2	12
Label, "Cabinet, UK, 100V"	36-27838-19	1	Not Shown
Label, "Cabinet, UK, 220V"	36-27838-20	1	Not Shown
Label, "Cabinet, USA, 100V"	36-27838-17	1	Not Shown
Label, "Cabinet, USA, 220V"	36-27838-18	1	Not Shown
Label, "Caution S-Box Shipping"	36-27924-01	1	Not Shown
Label, "Direct Thermal"	36-28231-08	2	Not Shown
Label, "Japan PTT"	36-33180-10	1	Not Shown
Label, "Module Number M7637-AA"	36-26883-A0	1	Not Shown
Label, "Module Number M7638-AA"	36-26883-A1	1	Not Shown
Label, "Module Number M7639-AA"	36-26883-A2	1	Not Shown
Label, "Module Number M9047-00"	36-26883-18	1	Not Shown
Label, "Module Number M9060-YA"	36-26883-17	1	Not Shown
Label, "Module Number"	36-26883-18	1	Not Shown
Label, "Pedestal, UK, 110V"	36-27838-30	1	Not Shown
Label, "Pedestal, UK, 220V"	36-27838-29	1	Not Shown
Label, "Pedestal, USA, 110V"	36-27838-31	1	Not Shown
Label, "Pedestal, USA, 220V"	36-27838-28	1	Not Shown
Label, "Postcard FTZ H9644 Series"	36-30422-31	1	Not Shown
Label, "S-Box"	36-27923-01	1	Not Shown
Latch Assembly, 15-Pin Slide w/o Hardware	12-18489-03	2	4
Latch Assen.bly, 2 Piece Slide w/Hardware	12-18489-04	2	3
Module, KN220 32 MB Memory (M7639-AA)	MS220-AA	1	3
Module, KN220 CPU	M7637-AA	1	4
Module, KN220 I/O	M7638-AA	1	5
Module, Load	M9060-YA	1	11
Module, SLU Console	54-17381-03	2	2
Mount Assembly, Bottom Shock	70-25452-03	1	17
Mount Assembly, RA70 Bottom Shock	70-23997-06	1	Not Shown
Mount Assembly, RA70 Top Shock	70-23997-05	1	Not Shown
Mount Assembly, TK70 Bottom Shock	70-23997-01	1	Not Shown
Mount Assembly, TK70 Top Shock	70-23997-02	1	Not Shown
Mount Assembly, Top Shock	70-25452-04	1	18
Nameplate, DECsystem 5500	74-34225-44	1	10
Nut, Hex No. 1/2-28	90-10563-01	2	14
Package Assembly	37-00983-12	2	Not Shown
Panel Assembly, Front	70-23995-04	1	12
Panel Assembly, Gap Filler	70-24071-01	1	8
Panel, 5 1/4 inch Tape Drive Filler	74-36425-01	1	19
Panel, Blank Dual	74-33507-01	1	Not Shown
Power Cord 240V 10A (2.5M) (BN20B-2E) (US/Japan/Canada)	17-00083-44	1	Not Shown
Power Cord 240V 10A (2.5M) (BN20C-2E) (Australia/New Zealand)	17-00198-04	1	Not Shown
Power Cord 240V 10A (2.5M) (BN20D-2E) (Central Europe)	17-00199-07	1	Not Shown
Power Cord 240V 10A (2.5M) (BN20E-2E) (U.K./Ireland)	17-00209-04	1	Not Shown
Power Cord 240V 10A (2.5M) (BN20F-2E) (Switzerland)	17-00210-04	1	Not Shown

**INDEX BY DEC PART DESCRIPTION
220QF CABINET SYSTEM**

DESCRIPTION	DEC PART NO.	FIG. NO.	ITEM NO.
Power Cord 240V 10A (2.5M) (BN20H-2E) (Denmark)	17-00310-07	1	Not Shown
Power Cord 240V 10A (2.5M) (BN20J-2E) (Italy)	17-00364-05	1	Not Shown
Power Cord 240V 10A (2.5M) (BN20K-2E) (India/S. Africa)	17-00456-05	1	Not Shown
Power Cord 240V 10A (2.5M) (BN20L-2E) (Israel)	17-00457-05	1	Not Shown
Power Cord, 120V 10A (2.5M) (BN20A-2E) (US/Japan/Canada) (Not Shown)	17-00083-43	1	23
Power Supply Assembly 100/120V	H7868-A	1	Not Shown
Power Supply Assembly 220/240V	H7868-B	1	Not Shown
Screw, Mach Flat Hd No. 4-40 x 7/16	90-00039-14	1	21
Screw, Self-Tap Truss Hd No. 4-40 x 5/16	90-00063-02	2	16
Screw, Self-Tap Truss Hd No. 6 x 5/16	90-00063-78	2	10
Screwdriver, Flat Blade	47-00042-00	1	Not Shown
Shield, H3602	74-42177-01	2	9
Switch Assembly, AC	70-23999-01	1	Not Shown
Tape, Velcro	12-26595-02	2	7
Tee, BNC Coaxial	12-25869-01	1	Not Shown
Washer, Flat	90-06659-00	2	11
Washer, Internal Tooth Lock No. 6 (Bronze)	90-00037-05	2	15
Wrench, Allen Hex	47-00045-00	1	Not Shown