

**ILLUSTRATED
PARTS
BREAKDOWN**

**660QF
CABINET SYSTEM**

HOW TO USE THE IPB

GENERAL

This IPB is compiled following the organization and nomenclature of the engineering drawing structure.

MAJOR ASSEMBLY LOCATOR (When Applicable)

The Major Assembly Locator (first illustration) is an index that provides a description and a figure reference for all illustrations used in this manual.

INDENTED PARTS LIST

This manual identifies each assembly being broken down (figure reference callout), and all parts of that assembly. Further breakdown of an assembly is shown by an asterisk (*) preceding the item callouts in the Description Column. The number of asterisks preceding an item is used to denote the subordination of that item with respect to the Major Assembly. A single asterisk preceding an item description indicates that the item is part of the major assembly being illustrated. Items that are subordinate to single asterisks items, are denoted by two asterisks (**) and immediately follow the related single asterisk item. This system of part identification provides a means for the user to identify the next higher assembly item and make alternate selections for parts when the required replacement part of assembly is not immediately available.

COLUMN CALLOUT DESCRIPTION

Figure and Item - Indicates the figure number and item number of each part.

Description - Lists the name of the part and pertinent specifications (when required). Asterisks preceding the description denote the subordination of the part to the next higher assembly.

DEC Part No. - Lists the Digital part ordering number. A blank in this column indicates a Digital part number was not assigned at the time of publication.

ECO Cut-In - The notation at the top of this column indicates the ECO level of the system (option), at which the IPB was initially prepared. Subsequent ECO level designations, that modify existing parts or add new parts to the device, are inserted in the ECO Cut-in column next to the part that is added or modified.

Used On Code - Letters in this column correspond to the variation codes assigned in Figure 1. Parts with an Alpha notation(s) are used only in those option variations. A blank indicates that the part is used on all option variations.

Ref Fig No. - A cross reference between illustrations. For each Major Assembly, the number in this column denotes the figure of the next higher assembly. For all subassemblies, the number in this column denotes the figure showing additional detailed breakdown.

PART NUMBER/PART DESCRIPTION INDEX SECTION
Parts are indexed both numerically and alphabetically by description, referenced to a location within the IPB, by figure number and item number.

REVISION HISTORY			DATE	OTHER IPB MANUALS REFERENCED
PRINTING	ECO LEVEL			
1st Printing	660QF 70-25775	00000-00000 00006-00006	22-MAR-91	EK-H9644-IP EK-ORA90-IP

Digital Equipment Corporation reserves the right, without notice, to make substitutions and modifications in the specifications of products documented in this manual and further reserves the right to withdraw any of these products from the market without notice.

Digital Equipment Corporation is not responsible for errors which may appear in the technical description (including illustrations and photographs) of the products covered by this manual.

None of the descriptions contained in this manual imply the granting of any license whatsoever to make, use or sell equipment constructed in accordance therewith.

Restricted Rights: Use, duplication or disclosure by the U.S. Government is subject to restrictions as set forth in subparagraph (c) (1) (ii) of the Rights in Technical Data and Computer Software clause at DFARS 252.227-2713.

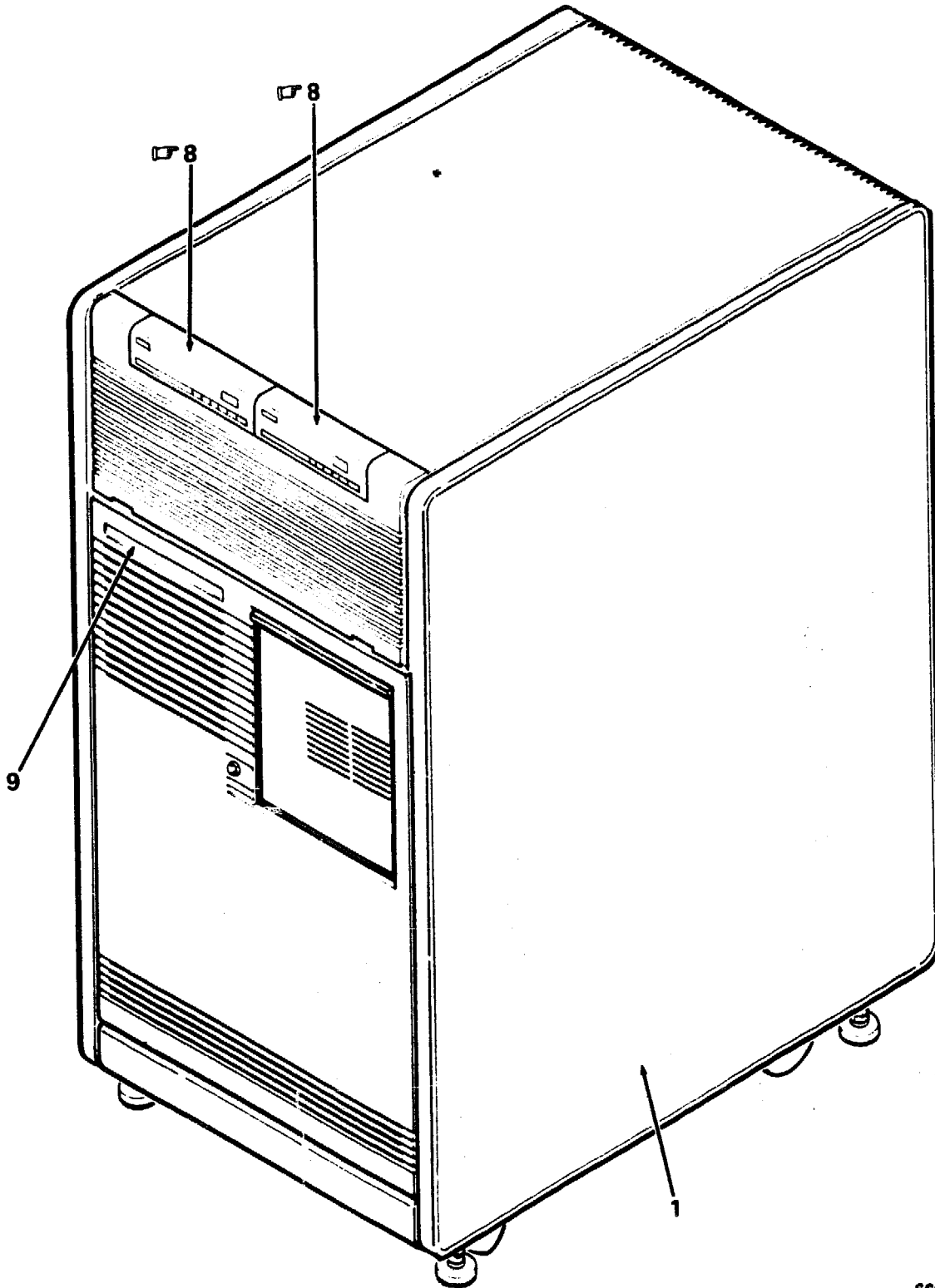
Copyright © 1991 by Digital Equipment Corporation. All rights reserved.
Printed in U.S.A.

The postage-paid **READER'S COMMENTS** form on the last page of this document requests your critical evaluation to assist us in preparing future documentation.

The following are trademarks of Digital Equipment Corporation :

DECdirect, RA90, rtVAX, VAX, VAXserver and "the DIGITAL logo."

☐ ☐ INDICATES FRU LEVEL PARTS.

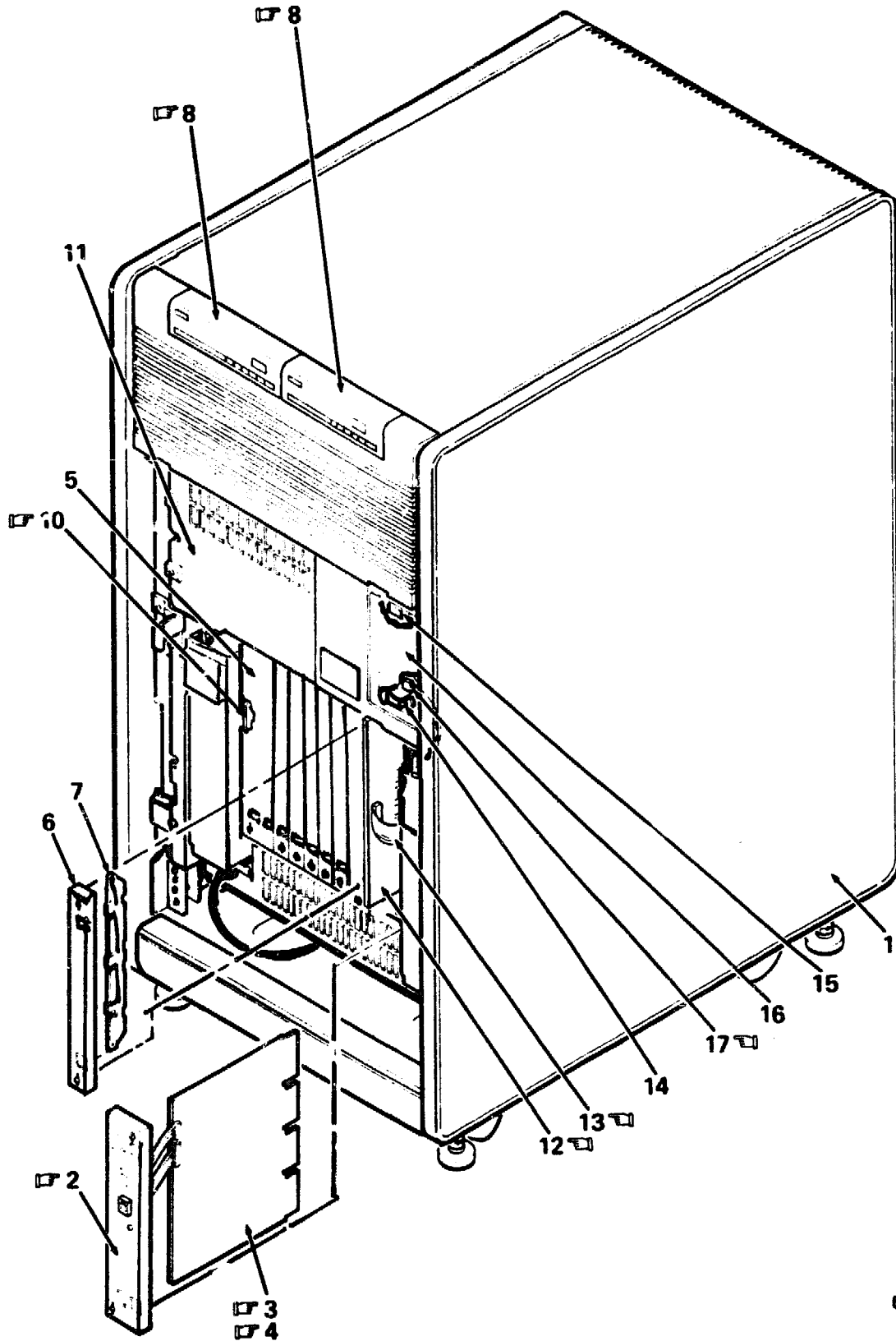


660QF-01-BD

Figure 1. 660QF Cabinet System (RA90 System) (Sheet 1 of 3)



☐ ☐ INDICATES FRU LEVEL PARTS.



660QF-01A-BD

Figure 1. 660QF Cabinet System (RA90 System) (Sheet 2 of 3)

PARTS LIST

☐ ☐ INDICATES FRU LEVEL PARTS.

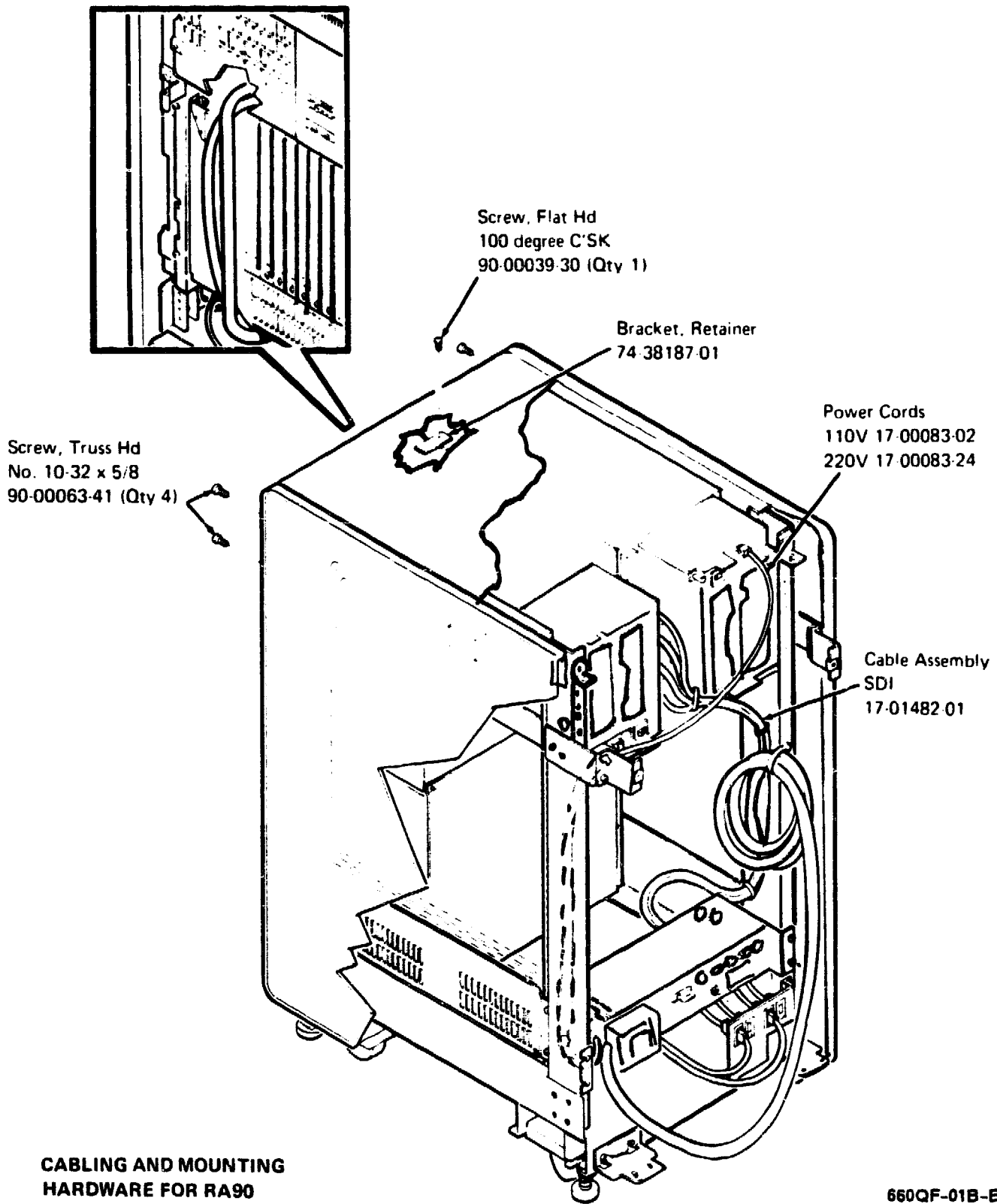


Figure 1. 660QF Cabinet System (RA90 System) (Sheet 3 of 3)

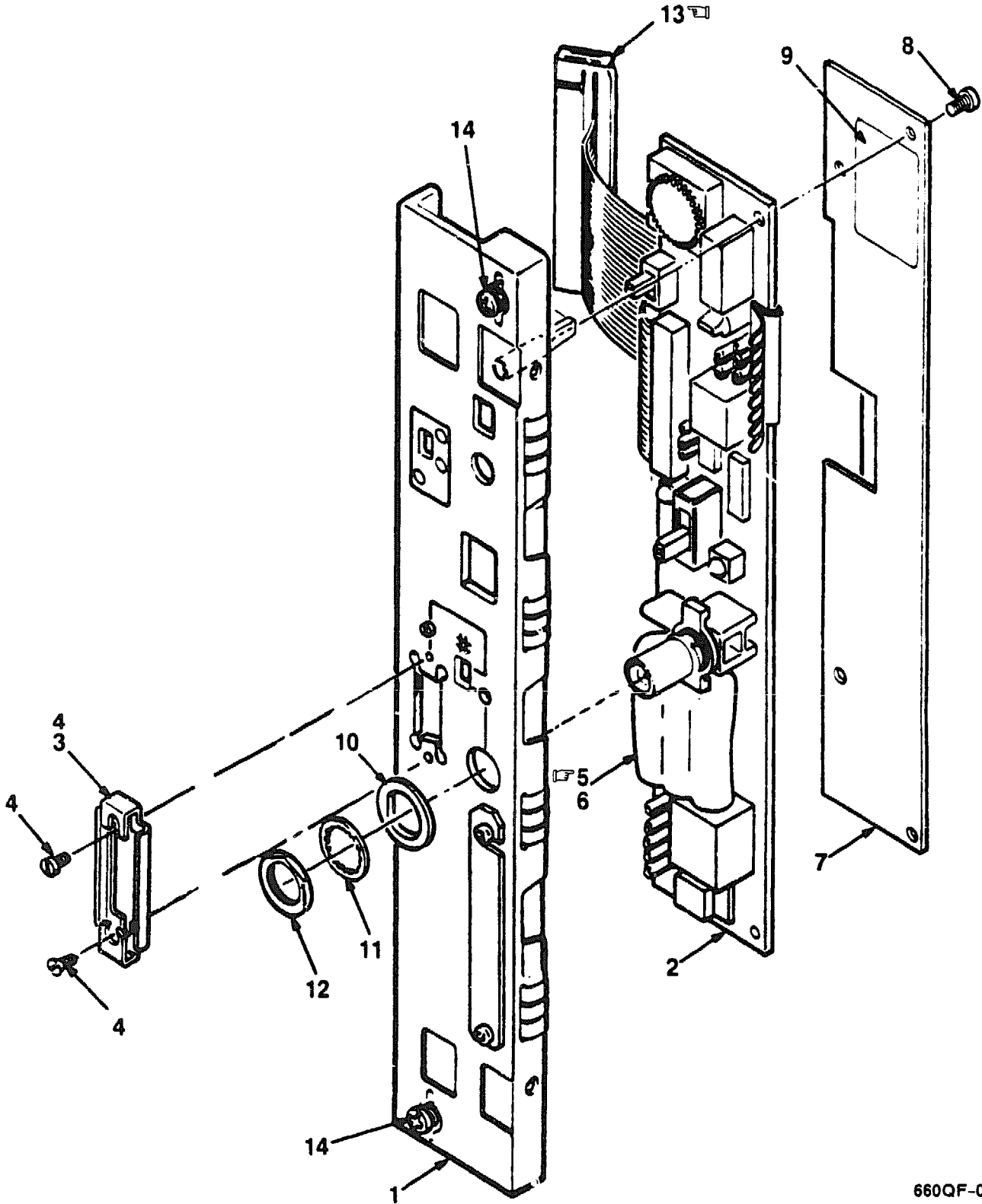
PARTS LIST



FIG. & ITEM NO.	DESCRIPTION	DEC PART NO.	ECO CUT-IN 660QF 00000	USED ON CODE	REF FIG NO.
1-	660QF CABINET SYSTEM				
	Code A - Used on 660QF-A2 120V	660QF-A2		A	
	Code B - Used on 660QF-A3 240V	660QF-A3		B	
	Code C - Used on 660QF-B2 120V	660QF-B2		C	
	Code D - Used on 660QF-B3 240V	660QF-B3		D	
1	*CABINET ASSEMBLY, BA213 40 INCH 120V (See IPB Manual EK-H9644-IP)	70-26188-01		AC	
	*CABINET ASSEMBLY, BA213 40 INCH 240V (See IPB Manual EK-H9644-IP)	70-26188-02		BD	
☐ 2	*BULKHEAD ASSEMBLY, H3602 MODULE	70-25775-01			2
☐ 3	*Module, MicroVAX CPU	M7626-AA		AB	
☐ 4	*Module, MicroVAX CPU	M7626-EA		CD	
5	*Bulkhead Assembly, Front Dual	70-23982-02			
6	*Bulkhead Assembly, Front	70-23981-01			
7	*Panel, Gap Filler	70-24071-01			
☐ 8	*DISK DRIVE ASSEMBLY, RA90 (See IPB Manual EK-0RA90-IP)	RA90-MA			
9	*Nameplate, VAX 4000 Model 200	74-34425-46		AB	
	*Nameplate, rtVAX 4000 Model 200	74-34425-47		CD	
	*Nameplate, VAXserver 4000 Model 200	74-34425-48		CD	
☐ 10	*Module, +12V Load (5A @ +5V)	M9060-YA			
11	*Panel Assembly, Front (See Note 1)	70-23995-04			
☐ 12	*Module, 16MB RAM	MS650-BA			
☐ 13	*Cable Assembly, Flat 50 Cond	17-01898-01			
☐	*Cable Assembly, Flat 50 Cond	17-01898-02			
☐	*Cable Assembly, Flat 50 Cond	17-01898-03			
14	*Shock Assembly, Bottom (See Note 2)	70-25452-04			
15	*Shock Assembly, Top (See Note 2)	70-25452-03			
16	*Filler, Tape Drive (See Note 2)	74-36425-01			
☐ 17	*Harness Assembly (See Note 1)	17-01362-01			
	NOTE 1: These Items Installed On Diskless Systems.				
	NOTE 2: These Items Installed On Tapeless Systems.				
	NOTE: See Index For Power Cords.				
	ACCESSORY KITS (Not Shown)				
	*KIT, BIZ ACCESSORIES	70-25473-01		AC	
	**Cable Assembly, 06 Cond Molded Oval	17-00811-02			
	**Key, Plastic	12-17119-01			
	**Connector, Adaptor (25 Pos)	12-23599-01			
	**Screwdriver, Flat Blade	47-00042-00			
	**Wrench, Allen Hex	47-00045-00			
	**Label, "S-Box"	36-27923-01			

FIG. & ITEM NO.	DESCRIPTION	DEC PART NO. ^A	ECO CUT-IN 660QF 00000	USED ON CODE	REF FIG NO.
1-	<p>ACCESSORY KITS (Not Shown) (Continued)</p> <p>*KIT. BIZ ACCESSORIES</p> <p>**Cable Assembly, 06 Cond Molded Shielded</p> <p>**Key, Plastic</p> <p>**Connector, Adaptor (25 Pos)</p> <p>**Screwdriver, Flat Blade</p> <p>**Wrench, Allen Hex</p> <p>LABELS (Not Shown)</p> <p>*Label, "Module Number M7626-AA"</p> <p>*Label, "Module Number M7626-BA"</p> <p>*Label, "Module Number M9060-A"</p> <p>*Label, "Cabinet, USA, 100V"</p> <p>*Label, "Cabinet, USA, 220V"</p> <p>*Label, "Cabinet, UK, 100V"</p> <p>*Label, "Cabinet, UK, 220V"</p> <p>*Label, "Pedestal, USA, 100V"</p> <p>*Label, "Pedestal, USA, 220V"</p> <p>*Label, "Pedestal, UK, 100V"</p> <p>*Label, "Pedestal UK 220V"</p> <p>*Label, "Postcard FTZ"</p> <p>*Label "Caution S-Box"</p> <p>*Label, "Module Number M7622-A"</p> <p>*Label, "Attention, Pre-Installed Software"</p> <p>*Label, "BA2XX Rev (Rolled)"</p>	<p>70-25473-02</p> <p>17-01364-02</p> <p>12-17119-01</p> <p>12-23599-01</p> <p>47-00042-00</p> <p>36-27923-01</p> <p>36-26883-A6</p> <p>36-26883-A7</p> <p>36-26883-17</p> <p>36-27838-17</p> <p>36-27838-18</p> <p>36-27838-19</p> <p>36-27838-20</p> <p>36-27838-01</p> <p>36-27838-03</p> <p>36-27838-04</p> <p>36-27838-02</p> <p>36-21232-54</p> <p>36-27924-01</p> <p>36-26833-43</p> <p>36-28979-01</p> <p>36-29163-07</p>		<p>BD</p> <p>AB</p> <p>CD</p> <p>AC</p> <p>BD</p> <p>AC</p> <p>BD</p> <p>AC</p> <p>BD</p> <p>BD</p> <p>BD</p> <p>BD</p> <p>BD</p> <p>BD</p> <p>BD</p> <p>BD</p> <p>BD</p> <p>BD</p> <p>BD</p> <p>BD</p> <p>BD</p> <p>BD</p> <p>BD</p>	

☐ ☐ INDICATES FRU LEVEL PARTS.



660QF-02-BD

Figure 2. Bulkhead Assembly, H3602 Module

PARTS LIST



FIG. & ITEM NO.	DESCRIPTION	DEC PART NO.	H ECO CUT-IN 70-25775 00006	USED ON CODE	REF FIG NO.
2-	MODULE ASSEMBLY, H3602 BULKHEAD	70-25775-01			1
1	*Bulkhead Assembly, Front Dual	70-23982-11			
2	*Module, SLU Console	54-17381-02			
3	*Latch Assembly, 15 Pin Slide w/o Hardware	12-18489-03			
4	*Latch Assembly, 2 Piece Slide w/Hardware	12-18489-04			
5	*Battery, 3 Cell 3.75V .18ma Nicad	12-19245-01			
6	*Tape, Velcro	12-26595-02			
7	*Insulator, Shield	74-37167-02			
8	*Screw, Self-Tap Truss Hd No. 6 x 5/16	90-00063-78			
9	*Label, "Baud Select"	36-26584-01			
10	*Bushing, Mylar	12-20575-01			
11	*Washer, Internal Tooth Lock No. 6 (Bronze)	90-00037-05			
12	*Nut, Hex No. 1/2-28	90-10563-11			
13	*Cable Assembly, 40 Cond Flat Ribbon	17-01032-03			
14	Fastener, 1/4 Turn (Not Part of This Assembly, Shown For Reference Only.)	12-26948-01			

Ω

PART NUMBER/DESCRIPTION INDEX



**INDEX BY DEC PART NUMBER
660QF CABINET SYSTEM**

PART NO.	DESCRIPTION	FIG NO.	ITEM NO.
12-17119-01	Key, Plastic	1	Not Shown
12-18489-03	Latch Assembly, 15 Pin Slide w/o Hardware	2	3
12-18489-04	Latch Assembly, 2 Piece Slide w/Hardware	2	4
12-19245-01	Battery, 3 Cell 3.75V .18ma Nicad	2	5
12-20575-01	Bushing, Mylar	2	10
12-23599-01	Connector, Adaptor (25 Pos)	1	Not Shown
12-26595-02	Tape, Velcro	2	6
12-26948-01	Fastener, 1/4 Turn	2	14
17-00083-43	Power Cord, 120V (2.5M) (BN20A-2E) (US/Japan/Canada)	1	Not Shown
17-00083-44	Power Cord, 240V (2.5M) (BN20B-2E) (US/Japan/Canada)	1	Not Shown
17-00198-04	Power Cord, 240V (2.5M) (BN20C-2E) (Australia/New Zealand)	1	Not Shown
17-00199-07	Power Cord, 240V (2.5M) (BN20D-2E) (Central Europe)	1	Not Shown
17-00209-04	Power Cord, 240V (2.5M) (BN20E-2E) (UK/Ireland)	1	Not Shown
17-00210-04	Power Cord, 240V (2.5M) (BN20F-2E) (Switzerland)	1	Not Shown
17-00310-07	Power Cord, 240V (2.5M) (BN20H-2E) (Denmark)	1	Not Shown
17-00364-05	Power Cord, 240V (2.5M) (BN20J-2E) (Italy)	1	Not Shown
17-00456-05	Power Cord, 240V (2.5M) (BN20K-2E) (India/S. Africa)	1	Not Shown
17-00457-05	Power Cord, 240V (2.5M) (BN20L-2E) (Israel)	1	Not Shown
17-00811-02	Cable Assembly, 06 Cond Molded Oval	1	Not Shown
17-01032-03	Cable Assembly, 40 Cond Flat Ribbon	2	13
17-01362-01	Harness Assembly	1	17
17-01364-02	Cable Assembly, 06 Cond Molded Shielded	1	Not Shown
17-01898-01	Cable Assembly, Flat 50 Cond	1	13
17-01898-02	Cable Assembly, Flat 50 Cond	1	13
17-01898-03	Cable Assembly, Flat 50 Cond	1	13
36-21232-54	Label, "Postcard FTZ"	1	Not Shown
36-26584-01	Label, "Baud Select"	2	9
36-26833-43	Label, "Module Number M7622-A"	1	Not Shown
36-26883-17	Label, "Module Number M9060-YA"	1	Not Shown
36-26883-A6	Label, "Module Number M7626-AA"	1	Not Shown
36-26883-A7	Label, "Module Number M7626-BA"	1	Not Shown
36-27838-01	Label, "Pedestal, USA, 100V"	1	Not Shown
36-27838-02	Label, "Pedestal, UK, 220V"	1	Not Shown
36-27838-03	Label, "Pedestal, USA, 220V"	1	Not Shown
36-27838-04	Label, "Pedestal, UK, 100V"	1	Not Shown
36-27838-17	Label, "Cabinet, USA, 100V"	1	Not Shown
36-27838-18	Label, "Cabinet, USA, 220V"	1	Not Shown
36-27838-19	Label, "Cabinet, UK, 100V"	1	Not Shown
36-27838-20	Label, "Cabinet, UK, 220V"	1	Not Shown
36-27923-01	Label, "S-Box"	1	Not Shown
36-27924-01	Label, "Caution S-Box"	1	Not Shown
36-28979-01	Label, "Attention, Pre-Installed Software"	1	Not Shown
36-29163-07	Label, "BA2XX Rev (Rolled)"	1	Not Shown

**INDEX BY DEC PART NUMBER
660QF CABINET SYSTEM**

PART NO.	DESCRIPTION	FIG NO.	ITEM NO.
47-00042-00	Screwdriver, Flat Blade	1	Not Shown
47-00045-00	Wrench, Allen Hex	1	Not Shown
54-17381-02	Module, SLU Console	2	2
70-23981-01	Bulkhead Assembly, Front	1	6
70-23982-02	Bulkhead Assembly, Front Dual	1	5
70-23982-11	Bulkhead Assembly, Front Dual	2	1
70-23995-04	Panel Assembly, Front	1	11
70-24071-01	Panel, Gap Filler	1	7
70-25452-03	Shock Assembly, Top	1	15
70-25452-04	Shock Assembly, Bottom	1	14
70-25473-01	KIT, BIZ ACCESSORIES	1	Not Shown
70-25473-02	KIT, BIZ ACCESSORIES	1	Not Shown
70-25775-01	BULKHEAD ASSEMBLY, H3602 MODULE	1	2
70-25775-01	MODULE ASSEMBLY, H3602 BULKHEAD	2	N/A
70-26188-01	CABINET ASSEMBLY, BA213 40 INCH 120V	1	1
70-26188-02	CABINET ASSEMBLY, BA213 40 INCH 240V	1	1
74-34425-46	Nameplate, VAX 4000 Model 200	1	9
74-34425-47	Nameplate, rtVAX 4000 Model 200	1	9
74-34425-48	Nameplate, VAXserver 4000 Model 200	1	9
74-36425-01	Filler, Tape Drive	1	16
74-37167-02	Insulator, Shield	2	7
90-00037-05	Washer, Internal Tooth Lock No. 6 (Bronze)	2	11
90-00063-78	Screw, Self-Tap Truss Hd No. 6 x 5/16	2	8
90-10563-01	Nut, Hex No. 1/2-28	2	12
660QF-A2	660QF-A2 120V	1	N/A
660QF-A3	660QF-A3 240V	1	N/A
660QF-B2	660QF-B2 120V	1	N/A
660QF-B3	660QF-B3 240V	1	N/A
M7626-AA	Module, MicroVAX CPU	1	3
M7626-BA	Module, MicroVAX CPU	1	4
M9060-YA	Module, +12V Load (5A @ +5V)	1	10
MS650-BA	Module, 16MB RAM	1	12
RA90-MA	DISK DRIVE ASSEMBLY, RA90	1	8

**INDEX BY DEC PART DESCRIPTION
660QF CABINET SYSTEM**

DESCRIPTION	DEC PART NO.	FIG. NO.	ITEM NO.
Battery, 3 Cell 3.75V .18ma Nicad	12-19245-01	2	5
Bulkhead Assembly, Front	70-23981-01	1	6
Bulkhead Assembly, Front Dual	70-23982-02	1	5
Bulkhead Assembly, Front Dual	70-23982-11	2	1
BULKHEAD ASSEMBLY, H3602 MODULE	70-25775-01	1	2
Bushing, Mylar	12-20575-01	2	10
CABINET ASSEMBLY, BA213 40 INCH 120V	70-26188-01	1	1
CABINET ASSEMBLY, BA213 40 INCH 240V	70-26188-02	1	1
Cable Assembly, 06 Cond Molded Oval	17-00811-02	1	Not Shown
Cable Assembly, 06 Cond Molded Shielded	17-01364-02	1	Not Shown
Cable Assembly, 40 Cond Flat Ribbon	17-01032-03	2	13
Cable Assembly, Flat 50 Cond	17-01898-03	1	13
Cable Assembly, Flat 50 Cond	17-01898-01	1	13
Cable Assembly, Flat 50 Cond	17-01898-02	1	13
Connector, Adaptor (25 Pos)	12-23599-01	1	Not Shown
DISK DRIVE ASSEMBLY, RA90	RA90-MA	1	8
Fastener, 1/4 Turn	12-26948-01	2	14
Filler, Tape Drive	74-36425-01	1	16
Harness Assembly	17-01362-01	1	17
Insulator, Shield	74-37167-02	2	7
Key, Plastic	12-17119-01	1	Not Shown
KIT, BIZ ACCESSORIES	70-25473-01	1	Not Shown
KIT, BIZ ACCESSORIES	70-25473-02	1	Not Shown
Label, "Attention, Pre-Installed Software"	36-28979-01	1	Not Shown
Label, "BA2XX Rev (Rolled)"	36-29163-07	1	Not Shown
Label, "Baud Select"	36-26584-01	2	9
Label, "Cabinet, UK, 100V"	36-27838-19	1	Not Shown
Label, "Cabinet, UK, 220V"	36-27838-20	1	Not Shown
Label, "Cabinet, USA, 100V"	36-27838-17	1	Not Shown
Label, "Cabinet, USA, 220V"	36-27838-18	1	Not Shown
Label, "Caution S-Box"	36-27924-01	1	Not Shown
Label, "Module Number M7622-A"	36-26833-43	1	Not Shown
Label, "Module Number M7626-AA"	36-26883-A6	1	Not Shown
Label, "Module Number M7626-BA"	36-26883-A7	1	Not Shown
Label, "Module Number M9060-YA"	36-26883-17	1	Not Shown
Label, "Pedestal, UK, 220V"	36-27838-02	1	Not Shown
Label, "Pedestal, UK, 100V"	36-27838-04	1	Not Shown
Label, "Pedestal, USA, 100V"	36-27838-01	1	Not Shown
Label, "Pedestal, USA, 220V"	36-27838-03	1	Not Shown
Label, "Postcard FTZ"	36-21232-54	1	Not Shown
Label, "S-Box"	36-27923-01	1	Not Shown
Latch Assembly, 15 Pin Slide w/o Hardware	12-18489-03	2	3
Latch Assembly, 2 Piece Slide w/Hardware	12-18489-04	2	4
MODULE ASSEMBLY, H3602 BULKHEAD	70-25775-01	2	N/A
Module, +12V Load (5A @ +5V)	M9060-YA	1	10
Module, 16MB RAM	MS650-BA	1	12
Module, MicroVAX CPU	M7626-BA	1	4
Module, MicroVAX CPU	M7626-AA	1	3
Module, SLU Console	54-17381-02	2	2

**INDEX BY DEC PART DESCRIPTION
660QF CABINET SYSTEM**

DESCRIPTION	DEC PART NO.	FIG. NO.	ITEM NO.
Nameplate, VAX 4000 Model 200	74-34425-48	1	9
Nameplate, VAXserver 4000 Model 200	74-34425-48	1	9
Nameplate, rtVAX 4000 Model 200	74-34425-47	1	9
Nut, Hex No. 1/2-28	90-10563-01	2	12
Panel Assembly, Front	70-23995-04	1	11
Panel, Gap Filler	70-24071-01	1	7
Power Cord, 120V (2.5M) (BN20A-2E) (US/Japan/Canada)	17-00083-43	1	Not Shown
Power Cord, 240V (2.5M) (BN20B-2E) (US/Japan/Canada)	17-00083-44	1	Not Shown
Power Cord, 240V (2.5M) (BN20C-2E) (Australia/New Zealand)	17-00198-04	1	Not Shown
Power Cord, 240V (2.5M) (BN20D-2E) (Central Europe)	17-00199-07	1	Not Shown
Power Cord, 240V (2.5M) (BN20E-2E) (UK/Ireland)	17-00209-04	1	Not Shown
Power Cord, 240V (2.5M) (BN20F-2E) (Switzerland)	17-00210-04	1	Not Shown
Power Cord, 240V (2.5M) (BN20H-2E) (Denmark)	17-00310-07	1	Not Shown
Power Cord, 240V (2.5M) (BN20J-2E) (Italy)	17-00364-05	1	Not Shown
Power Cord, 240V (2.5M) (BN20K-2E) (India/S. Africa)	17-00456-05	1	Not Shown
Power Cord, 240V (2.5M) ((BN20L-2E) (Israel)	17-00457-05	1	Not Shown
Screw, Self-Tap Truss Hd No. 6 x 5/16	90-00063-78	2	8
Screwdriver, Flat Blade	47-00042-00	1	Not Shown
Shock Assembly, Bottom	70-25452-04	1	14
Shock Assembly, Top	70-25452-03	1	15
Tape, Velcro	12-26595-02	2	6
Washer, Internal Tooth Lock No. 6 (Bronze)	90-00037-05	2	11
Wrench, Allen Hex	47-00045-00	1	Not Shown
660QF CABINET SYSTEM	N/A	1	N/A
660QF-A2 120V	660QF-A2	1	N/A
660QF-A3 240V	660QF-A3	1	N/A
660QF-B2 120V	660QF-B2	1	N/A
660QF-B3 240V	660QF-B3	1	N/A

14