

VAX 4000 Model 100A

Installation Information

Order Number: EK-502AA-IN. A01

August 1993

This manual describes how to install and test the VAX 4000 Model 100A.

August 1993

The information in this document is subject to change without notice and should not be construed as a commitment by Digital Equipment Corporation. Digital Equipment Corporation assumes no responsibility for any errors that may appear in this document.

The software described in this document is furnished under a license and may be used or copied only in accordance with the terms of such license.

No responsibility is assumed for the use or reliability of software on equipment that is not supplied by Digital Equipment Corporation or its affiliated companies.

Restricted Rights: Use, duplication, or disclosure by the U.S. Government is subject to restrictions as set forth in subparagraph (c)(1)(ii) of the Rights in Technical Data and Computer Software clause at DFARS 252.227-7013.

© Digital Equipment Corporation 1993.

All Rights Reserved.

The postpaid Reader's Comments forms at the end of this document request your critical evaluation to assist in preparing future documentation.

The following are trademarks of Digital Equipment Corporation: DEC, Digital, ThinWire, VAX, VAX DOCUMENT, VMS, and the DIGITAL logo.

All other trademarks and registered trademarks are the property of their respective holders.

S2277

This document was prepared using VAX DOCUMENT, Version 2.1.

Contents

Preface	v
----------------------	---

1 Installation Procedure

Step 1: Choosing a Suitable Location	1-1
Step 2: Unpacking the System and Identifying the Parts	1-2
Step 3: Connecting the Console Terminal	1-3
Step 4: Connecting the ThinWire Terminator	1-4
Step 5: Connecting the SCSI Terminator	1-5
Step 6: Connecting the DSSI Terminators	1-6
Step 7: Connecting the Power Cord	1-7
Step 8: Turning on the Console Terminal and System Unit	1-8
Step 9: Checking the Power-Up Test Results	1-9
Step 10: Connecting the System to a Network	1-11
Step 11: Connecting External Options to the System	1-11
Step 12: Booting the Operating System	1-11

Examples

1-1	Successful Power-Up Test Screen	1-9
1-2	Unsuccessful Power-Up Test Screen	1-10

Figures

1-1	The VAX 4000 Model 100A System	1-2
1-2	Console Connection	1-3
1-3	ThinWire Termination	1-4
1-4	Connecting the SCSI Terminator	1-5
1-5	Connecting a DSSI Terminator	1-6
1-6	Power Cord Connection	1-7
1-7	Power Turn On	1-8

Preface

This manual describes how to install and test the VAX 4000 Model 100A. It also refers to information on connecting the system to a network, connecting external options to the system, and booting the operating system.

Audience

This manual is intended for anyone who wants to install the VAX 4000 Model 100A. It is written for both experienced and inexperienced users.

Structure of This Manual

This manual contains one chapter. Each section heading is a step in the installation procedure and is indicated by the word *step* and a numeral. Substeps in the procedure are indicated by a numeral.

Additional Information

See the *VAX 4000 Model 100A Operator Information* manual for the list of associated and related documents.

Conventions

The following conventions are used in this manual:

Convention	Description
MONOSPACE	Text displayed on the screen is shown in monospace type.
<i>italic type</i>	Italic type emphasizes important information and indicates the complete titles of manuals.
Note	A note contains information that is of special importance to the user.

1

Installation Procedure

This chapter shows you, step by step, how to install the VAX 4000 Model 100A.

Step 1: Choosing a Suitable Location

Follow these guidelines when choosing where to place the system unit:

- Place the system unit where the room temperature is between 10°C and 40°C (50°F and 104°F) and the humidity is between 20% and 80%.
- Place the system unit at least 1 metre (3 feet) from heaters, photocopying machines, or other operating equipment.
- Place the system unit in a well-ventilated location.
- Place the system unit on a work surface that is raised above the floor.
- Do not place this unit on the top of any pedestal system.
- Keep the air vents on either side of the system unit clear.
- Do not expose the system unit to direct sunlight or abrasive particles.

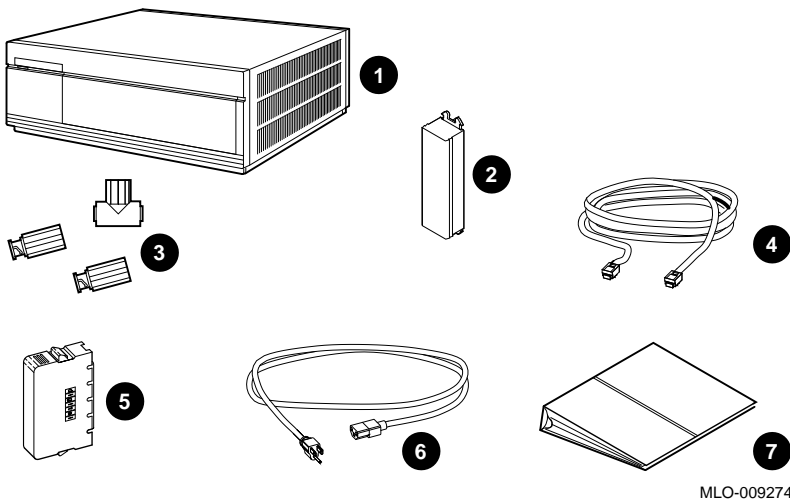
Note

The console terminal is not supplied with the system.

Step 2: Unpacking the System and Identifying the Parts

1. Unpack the system.
2. Make sure that you have all the parts listed on the packing slip. The loose-piece accessory kit is shipped with all basic systems. If you do not have all the parts listed, contact your Digital Sales representative.

Figure 1-1 The VAX 4000 Model 100A System

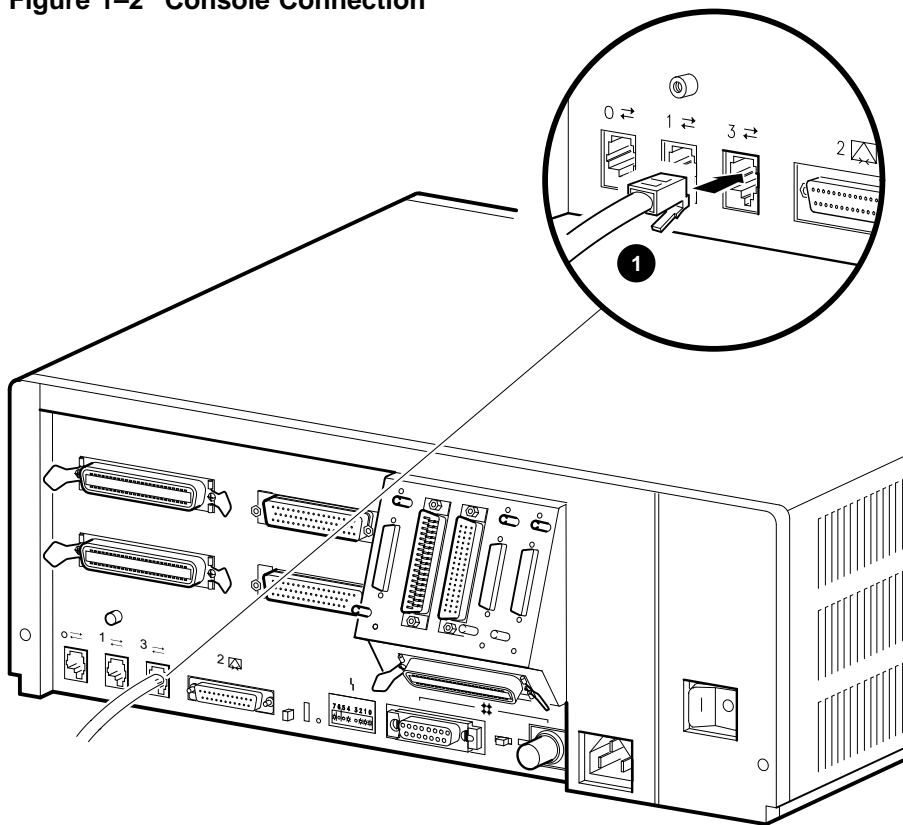


- 1 System Unit
- 2 SCSI Terminator H8574-A (PN 12-30552-01)
- 3 One ThinWire™ Ethernet T-Connector (H8223) and Two Terminators (H8225)
- 4 DEC423 Console Terminal Cable (BC16E-25)
- 5 DSSI Terminator (12-29258-01) (up to three included)
- 6 Power Cord
- 7 Documentation and Software Licenses

Step 3: Connecting the Console Terminal

1. Connect one end of the terminal cable to the modified modular jack (MMJ) port 3. This system will be shipped with a label covering ports 0 and 1. After port 3 is properly identified as the console port, the OPA0 arrow label may be removed.
2. Connect the other end of the terminal cable to a DEC423 (MMJ) communications port on the console terminal.

Figure 1-2 Console Connection



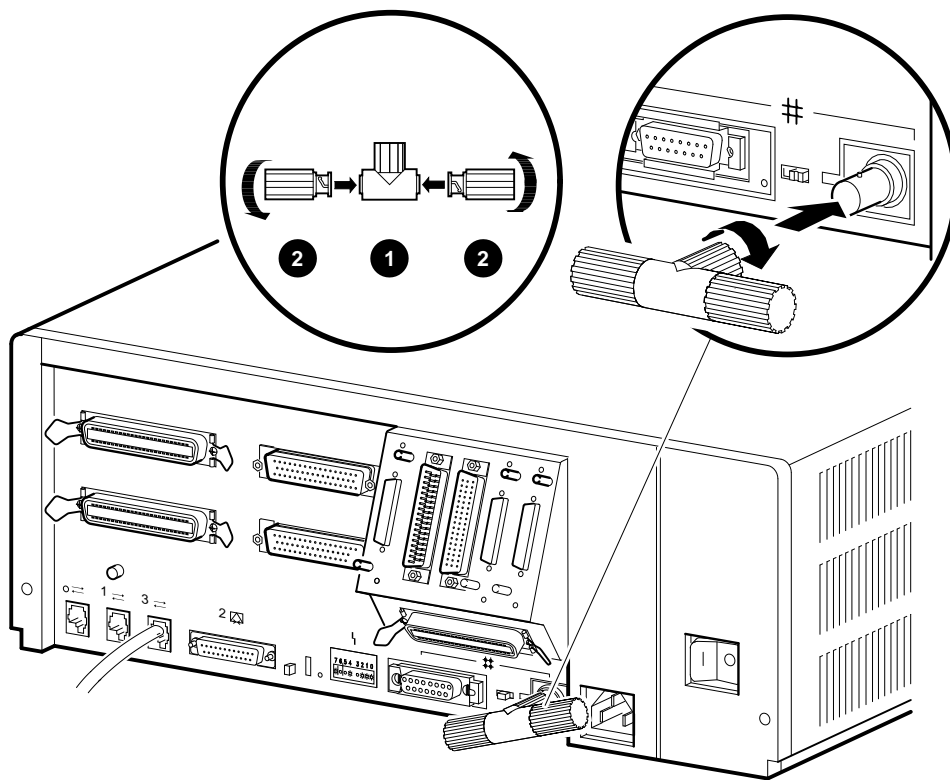
MLO-010200

1 Terminal Cable

Step 4: Connecting the ThinWire Terminator

1. Assemble the T-connector and the two terminators to form a ThinWire terminator.
2. Connect the ThinWire terminator to the system unit.

Figure 1-3 ThinWire Termination



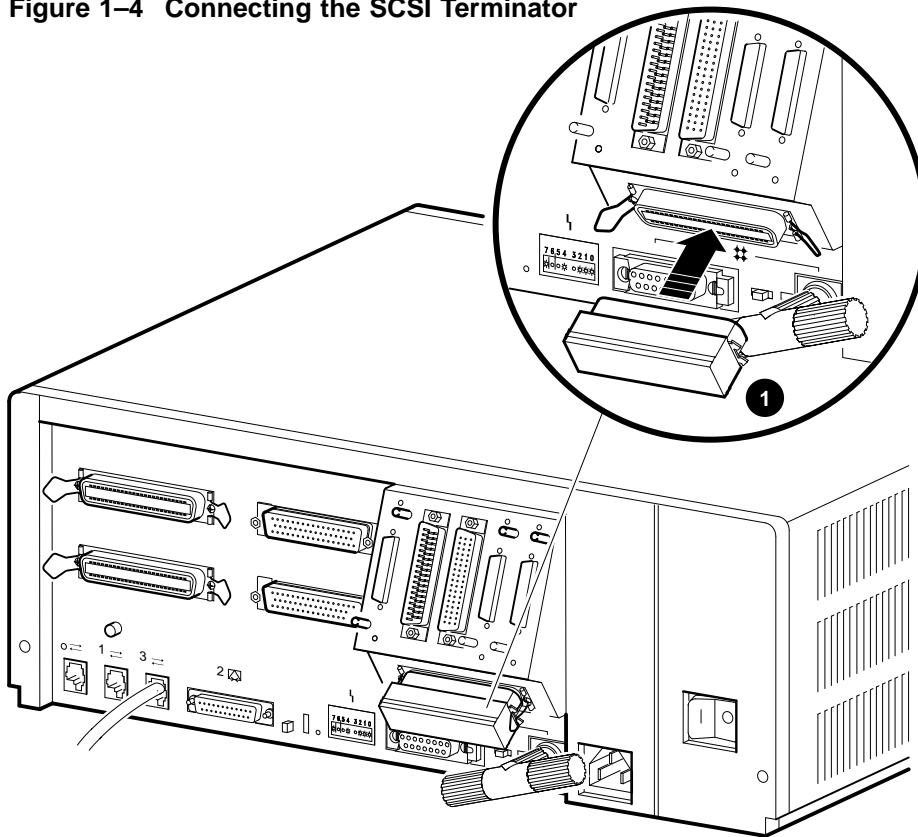
MLO-010201

- ① T-Connector
- ② Terminator

Step 5: Connecting the SCSI Terminator

1. Connect the SCSI terminator to the SCSI port.
2. Close the bail lock loops.

Figure 1-4 Connecting the SCSI Terminator



MLO-010202

❶ SCSI Terminator

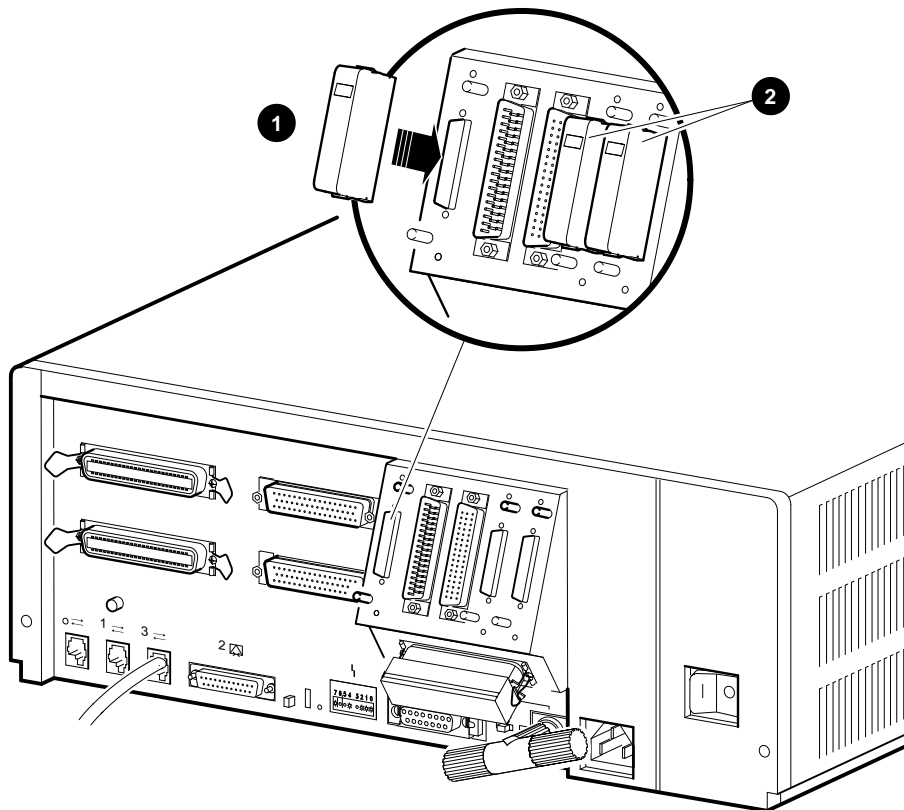
Step 6: Connecting the DSSI Terminators

Connect all three DSSI terminators.

Note

If you ordered the KFDDA-BA single-slot-card model, only one DSSI terminator will be included and connected, and the two right-hand DSSI cutouts will be covered with blanks.

Figure 1-5 Connecting a DSSI Terminator



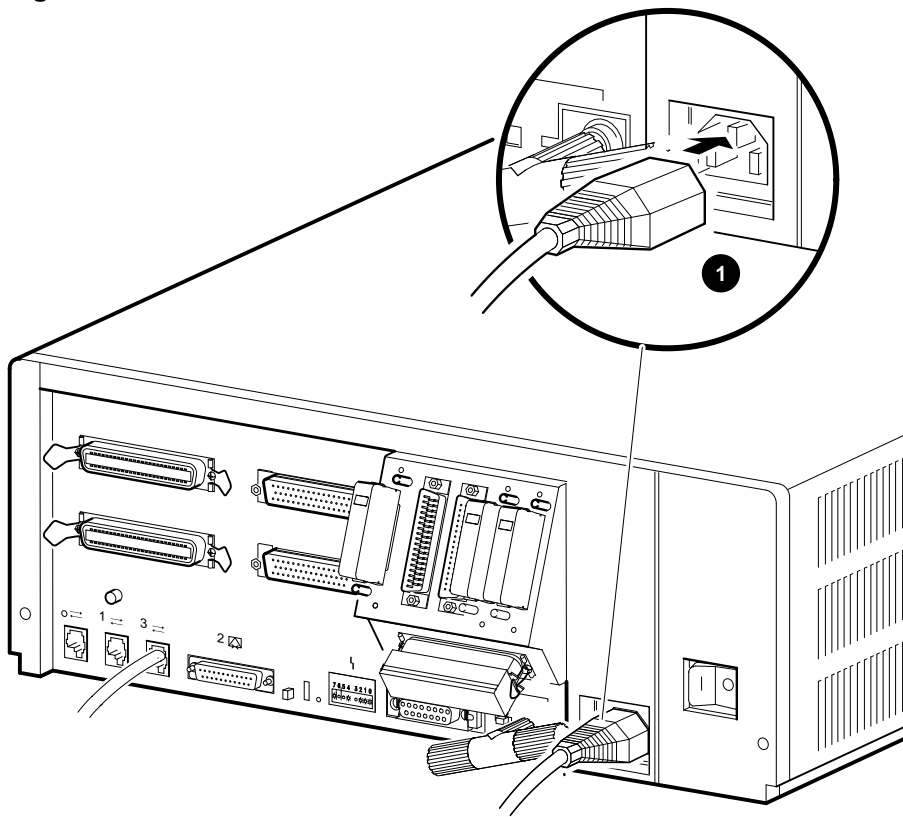
MLO-010203

- ❶ DSSI Terminator for all models
- ❷ Connected DSSI Terminators (all models except KFDDA-BA)

Step 7: Connecting the Power Cord

1. Ensure that the on/off switch is in the off (O) position.
2. Connect the power cord to the system unit.
3. Connect the other end of the power cord to an isolated, grounded circuit.

Figure 1–6 Power Cord Connection



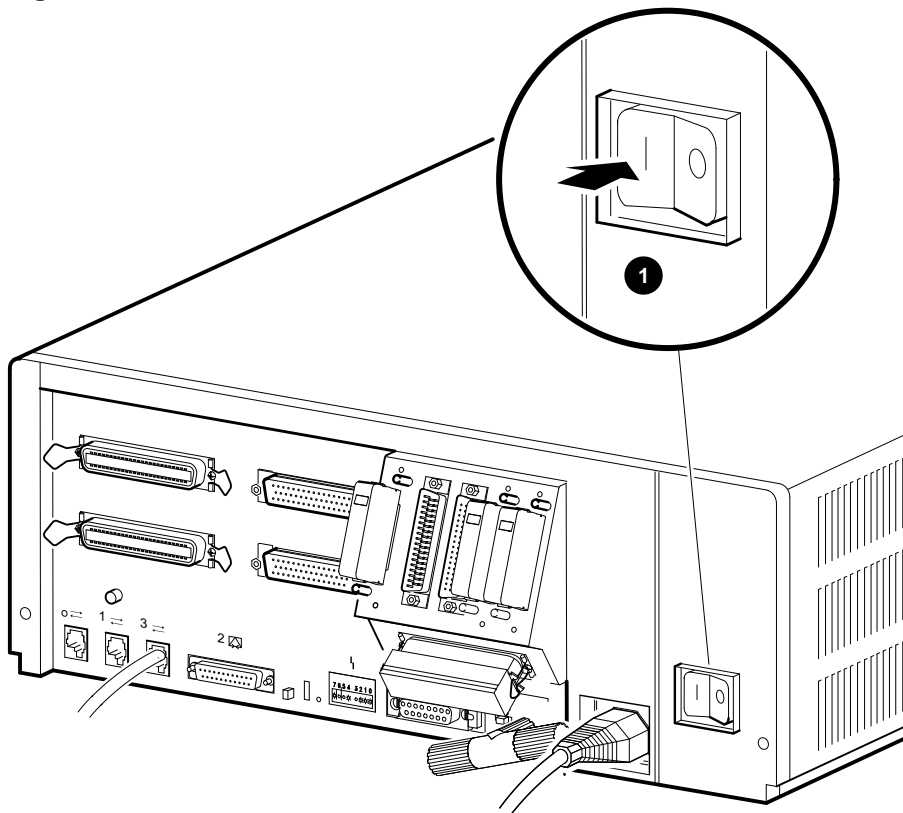
MLO-010204

- ❶ On/Off Switch
- ❷ Power Cord

Step 8: Turning on the Console Terminal and System Unit

1. Turn on the console terminal. Wait until it completes its power-up test. (See the terminal documentation for more information.)
2. Check the terminal settings. See the *VAX 4000 Model 100A Operator Information* manual for the list of correct settings.
3. Turn on the system unit by setting the on/off switch to the on (I) position.

Figure 1-7 Power Turn On



MLO-010205

❶ On/Off Switch

Step 9: Checking the Power-Up Test Results

The power-up test can take several minutes to complete, depending on the number of installed options and on which default settings you use.

1. If the power-up test results on the screen are similar to the results in Example 1–1, the system has passed the power-up test. Go to step 9.
2. If the power-up test results on the screen are not similar to the results in Example 1–1, the system has not passed the power-up test. See Example 1–2 for a typical failure.

Example 1–1 Successful Power-Up Test Screen

```
KA52-A VX.X, VMB 2.14 ❶
Performing normal system tests.
72..71..70..69..68..67..66..65..64..63..62..61..60..59..58..57..
56..55..54..53..52..51..50..49..48..47..46..45..44..43..42..41.. ❷
40..39..38..37..36..35..34..33..32..31..30..29..28..27..26..25..
24..23..22..21..20..19..18..17..16..15..14..13..12..11..10..09..
08..07..06..05..04..03..
Tests completed. ❸
>>> ❹
```

- ❶ Central Processing Unit (CPU) Name, Firmware Version Number, and Virtual Memory Boot (VMB) Version Number
- ❷ Read-Only Memory (ROM) based diagnostics countdown
- ❸ Status Message
- ❹ Console Prompt

If SIMM_OD is not present or not plugged in correctly, the system responds with a display similar to the following example:

Example 1–2 Unsuccessful Power-Up Test Screen

```
KA52-A VX.X, VMB 2.14
Performing normal system tests.
72..71..70..69..68..67..66..65..64..63..62..
? Test_Subtest_DC_88 Loop_Subtest=05 Err_Type=FF DE_NO_Memory_present.lis
Vec=0000 Prev_Errs=0000 P1=E04EE04E P2=00000000 P3=00000000 P4=00001006
P5=00000000 P6=7F337F7F P7=00000000 P8=00000000 P9=FFFF0000 P10=2006270C
r0=00000008 r1=21018000 r2=E04EE04E r3=80000000 r4=01000000 r5=04000000
r6=00000002 r7=00000000 r8=00000000 r9=20140758 r10=FFFFFFFE r11=FFFFFFF
dser=0000 cesr=00000000 icsr=01 pcsts=F800 pcctl=FC00 cctl=00000006
bcetsts=03E0 bcedsts=0400 cefsts=00007E80 nests=00 mmcdsr=01FFFE40
mesr=00000000
Error: SIMM Set 0 (0A,0B,0C,0D), SSR = E04E
SIMM_0A = 16MB SIMM_0B = 16MB SIMM_0C = 16MB SIMM_0D = 00MB ??
Total of 0MB, 0 good pages, 0 bad pages, 0 reserved pages
Normal operation not possible.
>>>
```

- ❶ Error Message
- ❷ Error Summary showing SIMM "0D" is missing
- ❸ Status Message

Note

If a failure occurs, refer to *VAX 4000 Model 100A Troubleshooting and Diagnostics Information* manual.

Step 10: Connecting the System to a Network

If you want to connect the system to a network, see the *VAX 4000 Model 100A Operator Information* manual.

Step 11: Connecting External Options to the System

If you want to connect external options to the system, see the *VAX 4000 Model 100A Operator Information* manual.

Step 12: Booting the Operating System

The system is supplied with factory installed software (FIS) on the system disk. Boot the operating system following the procedures in the *VMS™ Factory Installed Software User Guide*.

Reader's Comments

VAX 4000 Model 100A
Installation Information

EK-502AA-IN. A01

Your comments and suggestions help us improve the quality of our publications.

Please rate the manual in the following categories:

	Excellent	Good	Fair	Poor
Accuracy (product works as described)	<input type="checkbox"/>	<input type="checkbox"/>	<input type="checkbox"/>	<input type="checkbox"/>
Completeness (enough information)	<input type="checkbox"/>	<input type="checkbox"/>	<input type="checkbox"/>	<input type="checkbox"/>
Clarity (easy to understand)	<input type="checkbox"/>	<input type="checkbox"/>	<input type="checkbox"/>	<input type="checkbox"/>
Organization (structure of subject matter)	<input type="checkbox"/>	<input type="checkbox"/>	<input type="checkbox"/>	<input type="checkbox"/>
Figures (useful)	<input type="checkbox"/>	<input type="checkbox"/>	<input type="checkbox"/>	<input type="checkbox"/>
Examples (useful)	<input type="checkbox"/>	<input type="checkbox"/>	<input type="checkbox"/>	<input type="checkbox"/>
Table of contents (ability to find topic)	<input type="checkbox"/>	<input type="checkbox"/>	<input type="checkbox"/>	<input type="checkbox"/>
Index (ability to find topic)	<input type="checkbox"/>	<input type="checkbox"/>	<input type="checkbox"/>	<input type="checkbox"/>
Page design (overall appearance)	<input type="checkbox"/>	<input type="checkbox"/>	<input type="checkbox"/>	<input type="checkbox"/>
Print quality	<input type="checkbox"/>	<input type="checkbox"/>	<input type="checkbox"/>	<input type="checkbox"/>

What I like best about this manual: _____

What I like least about this manual: _____

Additional comments or suggestions: _____

I found the following errors in this manual:

Page	Description
------	-------------

For which tasks did you use this manual?

Installation

Maintenance

Marketing

Operation/Use

Programming

System Management

Training

Other (please specify) _____

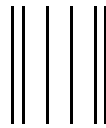
Name/Title _____

Company _____

Address _____

Do Not Tear - Fold Here and Tape

digital



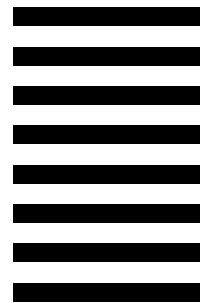
NO POSTAGE
NECESSARY
IF MAILED
IN THE
UNITED STATES

BUSINESS REPLY MAIL

FIRST CLASS PERMIT NO. 33 MAYNARD MASS.

POSTAGE WILL BE PAID BY ADDRESSEE

**DIGITAL EQUIPMENT CORPORATION
INFORMATION DESIGN AND CONSULTING
PKO3-1/D30
129 PARKER STREET
MAYNARD, MA 01754-9975**



Do Not Tear - Fold Here and Tape